



**For Security  
Vari-Focal**

**MP<sup>3</sup>**  
MEGA  
PIXELS

**YV2.7×2.2SA-2**

Applicable camera (model)

1	2/3	1/2	1/3	1/4
---	-----	-----	-----	-----

**2.7×**



\*Photograph is a similar model.

**VARI**  
Vari-Focal

**WIDE**  
Wide Angle

**3 Mega**  
For Megapixel  
Camera

**MANUAL**  
Manual Iris

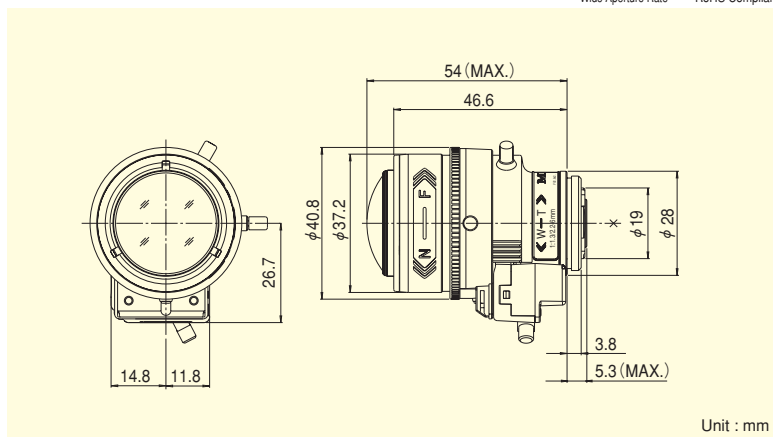
**CS-mt**  
CS Mount

**METAL**  
Metal Mount

**AT**  
Aspherical Lens

**F1.3**  
Wide Aperture Rate

**RoHS**  
RoHS Compliant

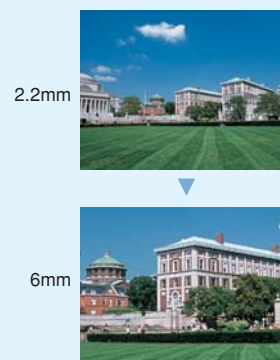


Unit : mm

- High image-quality monitoring with optical performance supporting 3 megapixels.
- WIDE 2.2mm, achieving a horizontal field angle of 120 degrees (when used on 1/3 cameras).
- Compact and lightweight design, best suited for use with dome cameras.
- Designed to maximize optical performance with high-accuracy aspheric lens, low-dispersion glass, and high refractive-index glass.

Focal Length (mm)		2.2~6 (2.7×)	
Iris Range		F1.3 ~ Close	
Operation	Zoom	Manual	
	Focus	Manual	
	Iris	Manual	
Angle Of View (H×V)	1/3"	WIDE	120°00' × 91°36'
		TELE	46°26' × 34°59'
	1/4"	WIDE	91°36' × 69°21'
		TELE	34°59' × 26°18'
Angle Of View (H×V) Aspect Ratio 16:9	1/3"	WIDE	129°43' × 75°23'
		TELE	50°30' × 28°38'
	1/4"	WIDE	99°23' × 56°53'
		TELE	38°04' × 21°31'
Focusing Range (From Front Of The Lens) (m)		∞ ~ 0.3	
Object Dimensions at M.O.D. (H×V) (mm)	1/3"	WIDE	1075 × 638
		TELE	266 × 196
	1/4"	WIDE	638 × 429
		TELE	196 × 145
Object Dimensions at M.O.D. (H×V) (mm) Aspect Ratio 16:9	1/3"	WIDE	1324 × 479
		TELE	293 × 158
	1/4"	WIDE	731 × 336
		TELE	214 × 118
Back Focal Distance (in air) (mm)		7.70	
Exit Pupil Position (From Image Plane) (mm)		-452	
Filter Thread (mm)		—	
Mount		CS	
Mass (g)		55	
Remarks		• With Metal Mount	

[Lens Image]



**MP<sup>3</sup>**  
MEGAPIXEL VARI-FOCAL LENSES