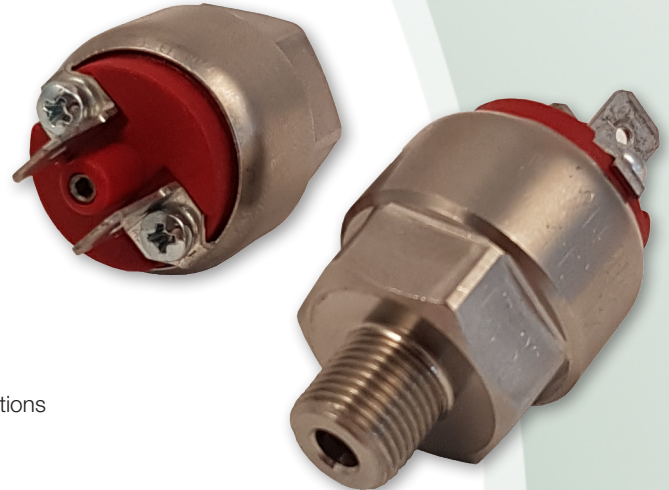


Pressure Switch - EPS02

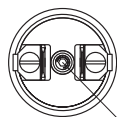
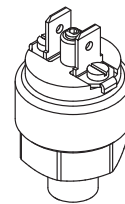
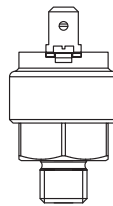
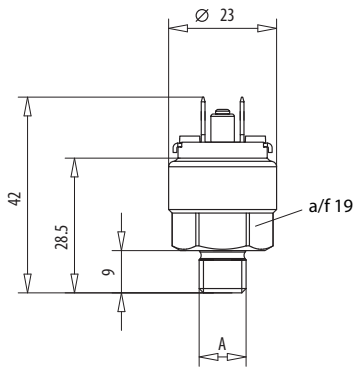


- Measuring ranges 0.3 -10 bar
- Generous overpressure
- Media temperature range -25 °C to + 85 °C
- Spring-loaded design with NBR or special VITON diaphragm
- VA 1.4305 stainless steel housing
- Medium - air, hydraulic oil, oil emulsions, water, others on demand



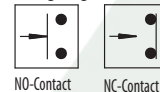
The compact EPS02 pressure switch is well suited to a wide range of applications in machine building, HVAC and pneumatic systems.

Reference dimensions mm



Setting screw
M3 DIN 914

Wiring diagram



Ordering Information

(Please use the characters in the chart below to construct your product code)

Sample Code: **EPS02 - SS - G1/8 - N - 2 - NO - AG**

Series	Housing	Port Configuration	Diaphragm	Pressure Range	Contact type	Contact material
EPS02	SS - VA 1.4305 St St	G1/8- G1/8	N- NBR V- Special Viton	2- 0.3 - 2 bar 10- 1 - 10 bar	NO- N/O NC- N/C	AG- Silver AU- Gold

Custom options available on request

Stock models: 94074 - EPS02-SS-G1/8-N-10-NC-AG
94075 - EPS02-SS-G1/8-N-10-NO-AG



Specification

Order ref.	EPS02-x-x-x-2-x-x	EPS02-x-x-x-10-x-x
Pressure setting range	0.3 – 2 bar	1 - 10 bar
Tolerance	± 0.2 bar	± 0.5 bar
Working pressure max.	2 bar	10 bar
Overpressure limit max.(static)	20 bar	20 bar
Design	Spring-loaded diaphragm	
Diaphragm	NBR, special design VITON	
Manner of fastening	Male thread	
Fitting thread >A<	G 1/8, Other thread types on demand	
Mounting position	beliebig Any	
Ambient temperature	-25 °C to + 85 °C, higher temperatures on demand	
Medium	Air, hydraulic oil, oil emulsions, water, others on demand	
Adjustability	Under pressure	
Switch back difference	Under 10%	
Mechanical life	10 ⁶	
Material	Stainless steel VA 1.4305	
Weight approx.	34 g	
Switching element	Silver-plated or Gold plated contacts	
Reference voltage	42 V	
Switching frequency max	200/min.	
Maximum load	2 A resistive)	
Electrical connection	Flat plug 2 x 6.3 x 0.8	
Protective system	IP 65, terminals IP00	
Breaking capacity	100 VA	