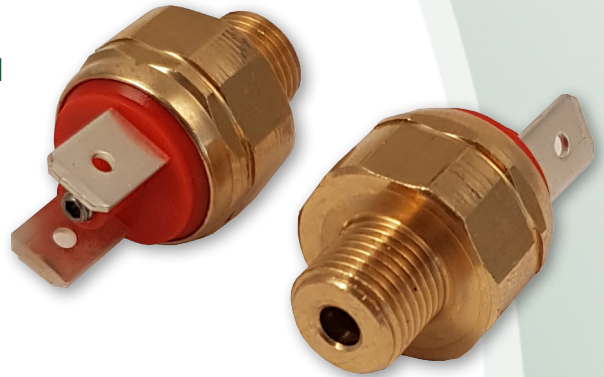


Pressure Switch - EPS01



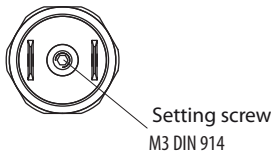
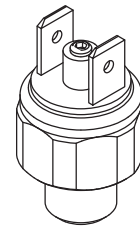
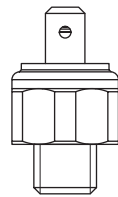
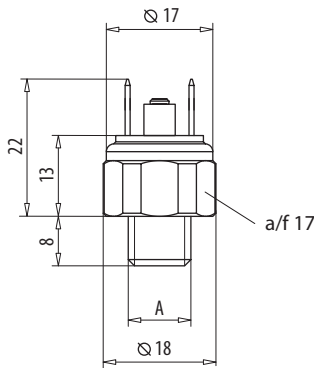
- Measuring ranges 0.3 -10 bar
- Generous overpressure
- Media temperature range -25 °C to + 85 °C
- Spring-loaded design with NBR or special VITON diaphragm
- Cost effective brass construction
- Medium - air, hydraulic oil, oil emulsions, water, others on demand



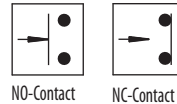
The compact EPS01 pressure switch is well suited to a wide range of applications in HVAC and machine building or pneumatic applications.

The EPS01 is a cost effective design for OEM projects.

Reference dimensions mm



Wiring diagram



Ordering Information

(Please use the characters in the chart below to construct your product code)

Sample Code: **EPS01 - BR - G1/8 - N - 2 - NO - AG**

Series	Housing	Port Configuration	Diaphragm	Pressure Range	Contact type	Contact material
EPS01	BR- Brass	G1/8- G1/8 G1/4- G1/4	N- NBR V- Special Viton	2- 0.3 - 2 bar 10- 1 - 10 bar	NO- N/O NC- N/C	AG- Silver

Custom options available on request

Stock model: 94073 - EPS01-BR-G1/8-N-10-NO-AG



Pressure Switch - EPS01



Specification

Order ref.	EPS01-x-x-x-2-x-x	EPS01-x-x-x-10-x-x
Pressure setting range	0.3 – 2 bar	1 - 10 bar
Tolerance	± 0.2 bar	± 0.5 bar
Working pressure max.	2 bar	10 bar
Overpressure limit max.(static)	20 bar	20 bar
Design	Spring-loaded diaphragm	
Diaphragm	NBR, special design VITON	
Manner of fastening	Male thread	
Fitting thread >A<	G 1/8, G 1/4, Other thread types on demand	
Mounting position	Any	
Ambient temperature	-25 °C to + 85 °C, higher temperatures on demand	
Medium	Air, hydraulic oil, oil emulsions, water, others on demand	
Adjustability	Under pressure	
Switch back difference	Under 10%	
Mechanical life	10 ⁶	
Material	Brass	
Weight approx.	34 g	
Switching element	Silver-plated contacts	
Reference voltage	42 V	
Switching frequency max	200/min.	
Maximum load	2 A resistive	
Electrical connection	Flat plug 2 x 6.3 x 0.8	
Protective system	IP 65, terminals IP00	
Breaking capacity	100 VA	