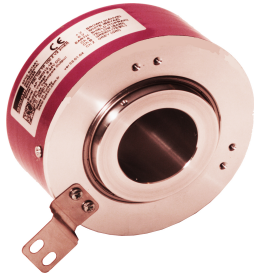


Hollow Shaft Incremental Encoder with Pulse Output



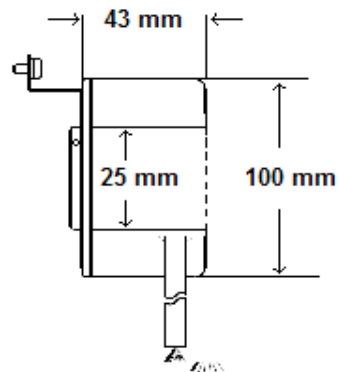
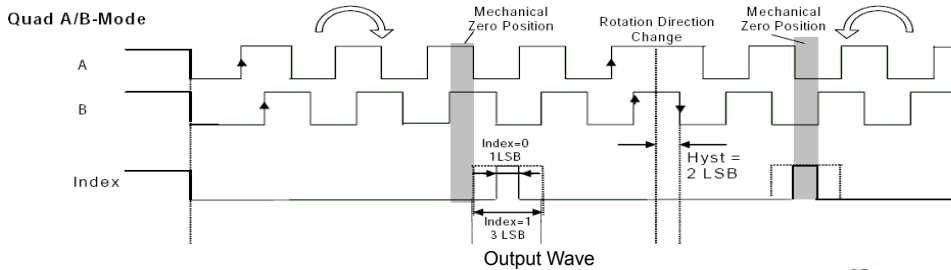
- Ø 100 mm
- Optical rotary
- Incremental 1024 pals/tur

Main Applications

Position/ Angle Measurement Applications for Automation Systems

Specifications

Case Diameter	Ø 100 mm
Rod Diameter	Ø 25-28-38 mm
Case Material	Aluminium and steel
Rod Material	Stainless Steel
Measurement Type	Optical
Output Type	TP (push-pull), TTL, LD or HLD
Supply Voltage	5V, 8-24V, or 5-30V DC
Maximum Speed	2000 rpm
Working Temperature	-20.....+80 °C
Electrical Connection	2.5 m Cable (Standard)



Ordering Procedure

PRI 100	H25	TP	1024	Z	V2	2.5 m
Model	Hollow Diameter H25: 25mm hollow	Output Type TP = Totempole LD= Line Driver HLD= High Line Driver	Resolution 1024 pulse/turn	Output Signal B:AB Z: A, B, Z or ZZ : AA',BB',ZZ'	Supply Voltage V1: 5V V2: 8-24V or V3: 5-30V	Cable lenght 2.5 metre (Standard)