

Incremental Encoder with Pulse Output



- Ø 50mm
- Contactless magnetic rotary encoders
- Absolute – 5V/360, 5V/180,5V/90,5V/45 Volt/degree
- Easy mounthing for behind of engine
- High protection class for outside applications (IP 68)

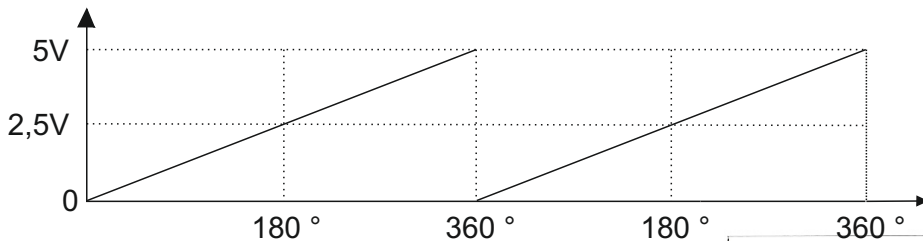
Main Applications

Position and Angle Measurement for behind of engine and general automation applications.

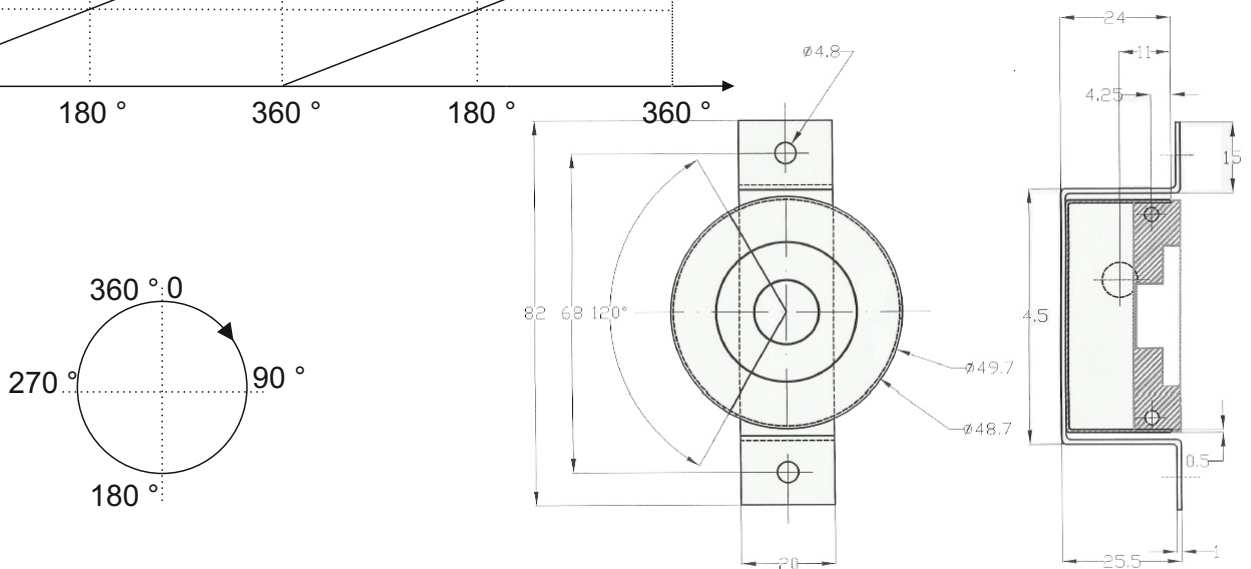
Specifications

Measurement type	Magnetic absolute contactless
Resolution	Absolute – 5V/360, 5V/180,5V/90,5V/45 Volt/degree
Output signal	0-5 Volt
Output signal type	Analogue
Supply voltage	8–24 VDC (Standard) or 5 VDC (Optional)
Case diameter	Ø 50mm
Rod diameter	-
Case material	Aluminium / steel
Rod material	Stainless steel
Max. speed	1000 rpm
Working temperature	-20.....+80 °C
Electrical connection	2.5m Cable (Standard) or Connector (Optional)
Water resistance	Optional

Output waves



MRV 50VEL Dimensions



Ordering Procedure

MRV	50VEL	ANL	5V/360	VO	V2	2.5 m
Model	Case diameter Ø50mm	Output type ANL = Analogue	Resolution 5V/360 5V/180 5V/90 5V/45	Output signal Voltage output	Supply voltage V2: 8-24 VDC V1: 5V DC	Cable length 2.5 meter or Connector