

**Incremental Encoder with Pulse Output**



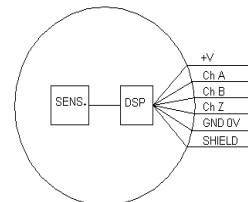
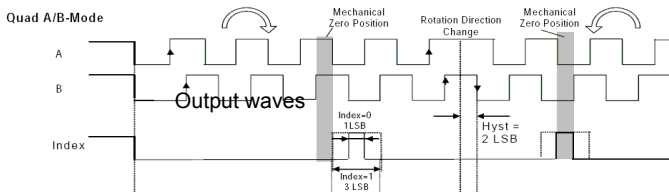
- Ø 50mm
- Magnetic rotary encoders
- Incremental – 32, 64, 128, 256, 1024 pulses/ turn

**Main Applications**

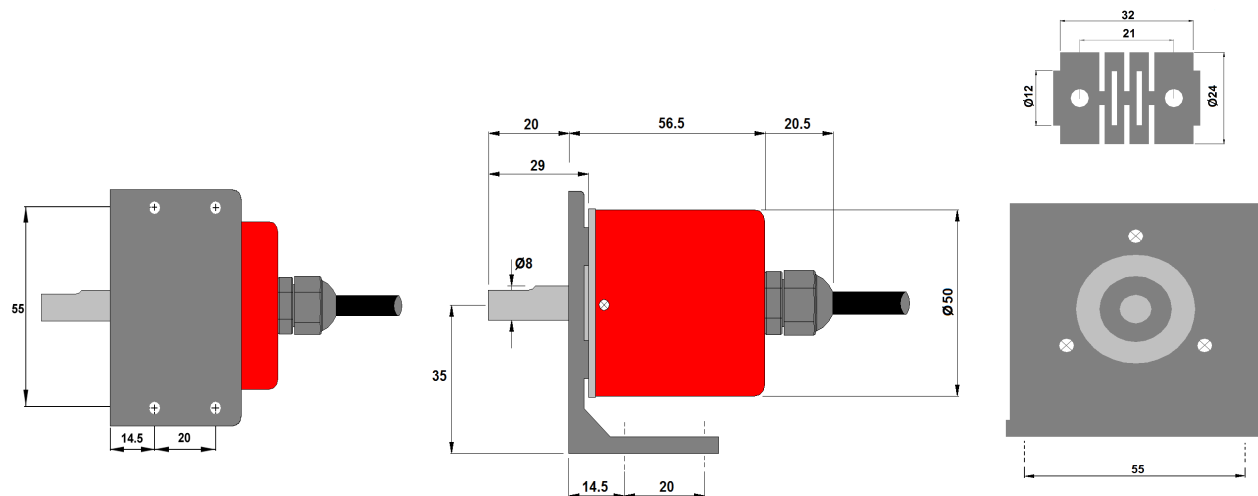
Position and Angle Measurement Applications for Automation Systems

**Specifications**

Measurement type	Magnetic incremental contactless
Resolution	32, 64, 128, 256 pulses/ turn
Output signal	A, B, Z
Output signal type	TTL, Totempole, Line Driver, High Line Driver
Supply voltage	8–24 VDC (Standard) or 5 VDC (Optional)
Case diameter	Ø 50mm
Rod diameter	Ø 8mm
Case material	Aluminium / steel
Rod material	Stainless steel
Max. speed	3500 rpm
Working temperature	-20.....+80 °C
Electrical connection	2.5m Cable (Standard) or Connector (Optional)
Water resistance	Optional



OP-CN4C or OP-CN5C connection



**Ordering Procedure / An Order Sample**

MRI	50W	TP	128	Z	24V	2.5 m
Model	Case diameter Ø50mm	Output type TP = Totempole TTL LD or HLD	Resolution 32-64-128-256-1024 pulses / turn	Output signal A, B, Z or A,A', B,B',Z,Z'	Supply voltage 8-24 VDC or 5 VDC	Cable length 2.5 meter or Connector