



Draw Wire Encoder



- Incremental output
- Easy mounting
- High protection degree

Main Applications

Offers easy mounting and quick solution for linear transducers

Hydraulic presses

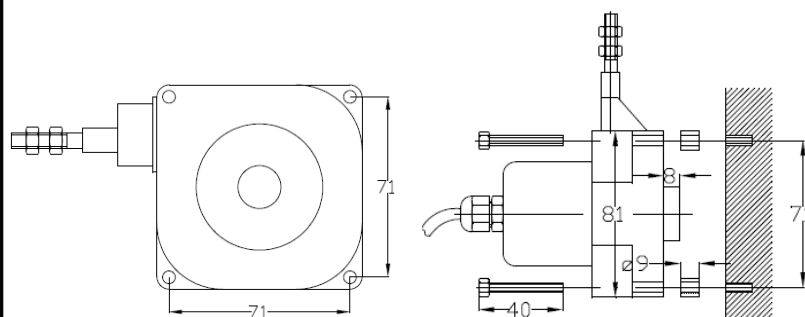
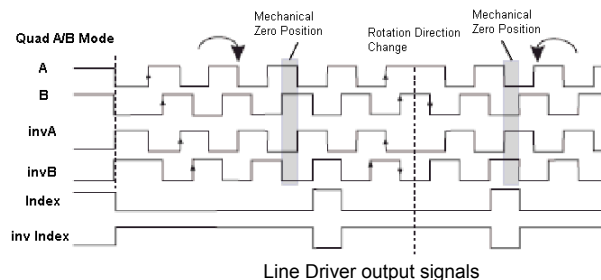
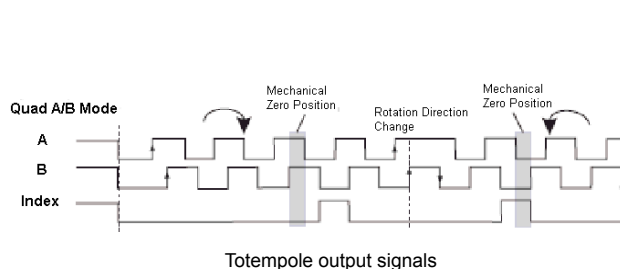
Wood working, profile and metal processing machinery

Medical applications

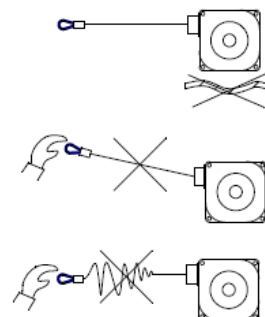
General automation applications

Specifications

Measurement type	Optical
Resolution	200mm/1000pulse
Measurement stroke	1000mm, 2000mm,3000mm,3500mm
Output signal type	Totempole, TTL, Linedriver or HLD
Output signal	A, B, Z or AA', BB', ZZ'
Supply voltage	8-24 V DC, 5V DC or 5-30V DC
Electrical connection	2.5 meter cable (standard)
Working temperature	-20°C+80°C
Case material	Plastic, stainless steel
Protection Degree	IP 64



Mounting dimensions



CAUTION

Do not draw the string maximum than measurement stroke

Ordering Procedure

DWE	1000	TP	P1000	Z	24V	2.5 m
Model	Measurement Stroke	Output	Resolution	Output signal	Supply voltage	Cable length
DWE	1000mm 2000mm 3000mm 3500mm	TP = Totempole TT = TTL LD = Line Driver HLD = High Line Driver	P1000=1000pulse/turn 1 turn: 200mm	Z = A, B, Z ZZ = A, A', B, B',Z,Z'	8-24 VDC 5 V DC or 5-30V DC	2.5 meter