

KLINGER PS pressure transmitter

◆ Features

- ✓ Advanced glass micro-melting technology, flexible overall structure design, no leakage hazard
- ✓ Efficient lightning protection, anti-radio frequency and electromagnetic interference protection
- ✓ Advanced digital temperature compensation function, wide operating temperature range
- ✓ High precision, high frequency response, good long-term stability



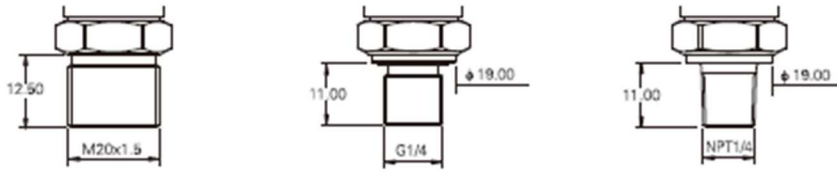
◆ Scope of Application

- ◇ Industrial Process Detection and Control
- ◇ Automated Detection System
- ◇ Hydraulic and Pneumatic Control System
- ◇ Pumping Station and Water Treatment System
- ◇ Industrial Machinery Manufacturing

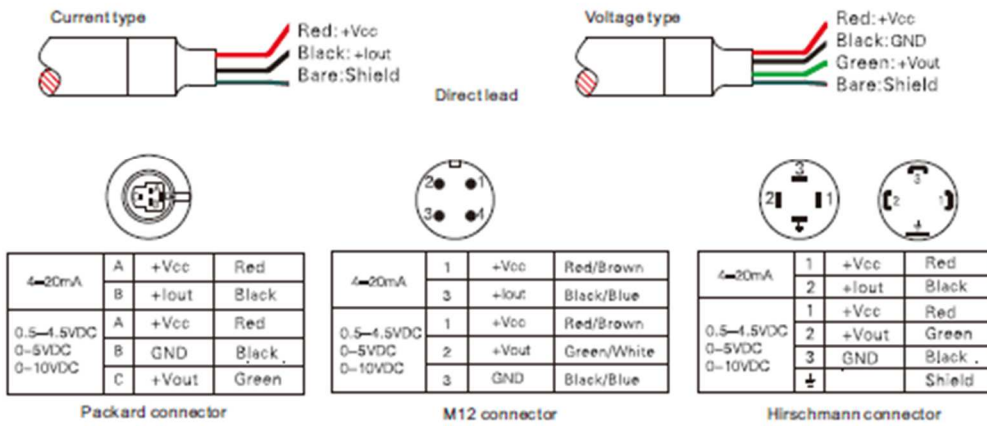
◆ Technical Parameters

Type of pressure	Gauge pressure, absolute pressure, sealed pressure												
Pressure range (bar)	6	10	16	25	40	60	100	160	200	250	300	500	600
Signal output	4~20mA		0.5~4.5VDC (proportional output)					0.5~4.5VDC		0~5VDC		0~10VDC	
Signal line specifications	2Wire		3Wire		3Wire		3Wire		3Wire				
Supply voltage	9~30VDC		5VDC		9~30VDC		9~30VDC		15~30VDC				
Precision	±0.5%FS		±1%FS		Breaking pressure		500%FS						
Long-term stability (1 year)	±0.1%FS					Mechanical vibration		±20g					
Response frequency (-3dB)	3.2kHz					Impact (11ms)		100g					
Temperature compensation	-20~+85°C					Protection level		IP65					
Operating temperature	-40~+85°C					Material		17-4PH					
Storage temperature	-40~+105°C					Overload pressure		300%FS					
Electrical connections	Direct lead, M12 connector, Packard connector, Hirschmann (Mini), Hirschmann (DIN43650)												
Pressure port	M20×1.5 G 1/4 NPT 1/4 (other customized as required)												
Electromagnetic compatibility (EMC)	EN61000-6												
Certification items	CE RoHS												

◆ Pressure port size



◆ Electrical interface and wiring method



Stock versions:

PS10 : 0..10BarG | G1/4 | 4..20mA | M12 | ±0,5%FS

PS250 : 0..250BarG | G1/4 | 4..20mA | M12 | ±0,5%FS

PS400 : 0..400BarG | G1/4 | 4..20mA | M12 | ±0,5%FS