

SAR

Solid Absolute Magnetic Rings

COMPACT
AND ROBUST
DESIGN

VARIOUS
SIZES

HIGH
SPEED AND
TEMPERATURE

Absolute radial magnetic rings are compatible with the Artos™ readhead and are suitable for most demanding applications. The robust design protects the magnetic ring against the ingress of liquids and high temperatures, so that it remains undamaged even in extremely contaminated and hot environments.



Features and benefits

- ▶ Compatible with Artos™ readhead
- ▶ Excellent resistance to common machine tool contaminants
- ▶ Various sizes of diameters available
- ▶ Easy mounting
- ▶ High operating speed
- ▶ Operation at high temperatures



MACHINE
TOOL



ASSEMBLY
LINES



INDUSTRIAL
AUTOMATION



GIMBALS



HARSH
ENVIRONMENT

General information

The magnetic ring is available in two versions: exposed and protected with a cover foil. The version with the visible elasto-ferrite layer, called the exposed ring, is intended for applications where aggressive liquids are not expected to damage the sensitive part of the ring. The exposed ring can withstand dust, moisture and dirt. If, on the other hand, a thin layer of stainless steel is applied over the elasto-ferrite layer, the ring becomes more robust and is suitable for harsh environments. The cover foil can be applied in two different ways. In one variant, the cover foil is wrapped around the circumference of the ring, but the elasto-ferrite layer of the ring is visible from the sides. This type of protection is suitable for high rotational speeds and protects the sensitive elasto-ferrite layer from rotational forces. In the second type, the cover foil is applied and welded around the entire circumference. This type of protection gives the ring IP67 protection and can withstand significantly higher rotational speeds. The fully protected version is intended for demanding applications, e.g. in the machine tool industry, where various aggressive liquids are present - oils, coolants, greases, solid non-ferrous particles (swarf) and high-speed applications.

Magnetic rings are available in various sizes, from 57 mm up to 478 mm outer diameter. In addition, the readhead supports partial-arc applications from the smallest diameter of 200 mm upwards. For the partial-arc applications, the DS19 flexible magnetic scale is used, which can be attached to shafts with larger diameters. The use of the DS19 magnetic scale does not support a full 360° rotation of the shaft, but is intended for large shaft applications where a full rotation is not required.

Solid absolute ring variants

Exposed SAR radial ring



Available on rings:

SAR057

SAR081

SAR114

SAR162

SAR229

SAR325

SAR478

SAR ring with cover foil



Available on rings:

SAR229

SAR325

SAR ring with welded cover foil (IP67)



Available on rings:

SAR057

SAR081

SAR114

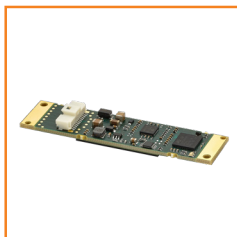
SAR162

Selection guide

Artos™ readhead



Artos™ PCB-A readhead



For readhead specifications see Artos™ data sheets available at [RLS media center](#).

Storage and handling

Storage temperature



-20 °C to +85 °C

Operating temperature

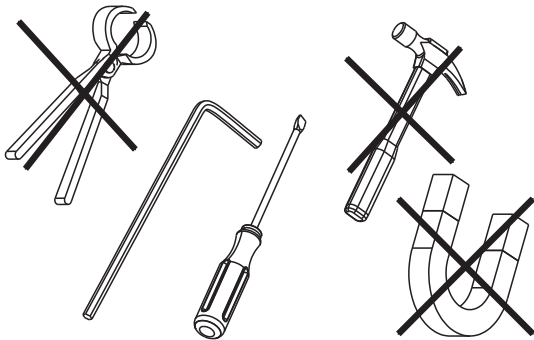


-20 °C to +85 °C

IP rating



Up to IP67



The magnetic ring should not be exposed to magnetic field densities higher than 25 mT on its surface, as this can damage the ring.

HANDLE WITH CARE

The use of industrial tools during installation or exposure to strong magnets such as a magnetic base is not recommended as it carries the risk of damaging parts of the system which as a result might not perform in accordance with specifications.

Use of tools such as drift, punch or similar are expressly forbidden and should not be used during installation to adjust run-out.

Improper assembly of the readhead and ring may impair function of the magnetic encoder system and lead to increased wear or damage to the system.

- All permissible distance and angle tolerances must be strictly complied with.
- The readhead may not come into contact with the ring over the entire revolution. The contact between the readhead and ring must also be avoided, to prevent ring from being damaged.
- Induction heating of the ring is expressly forbidden due to the possible damage of the magnetization pattern.
- The product should remain in the original packaging until ready for installation.

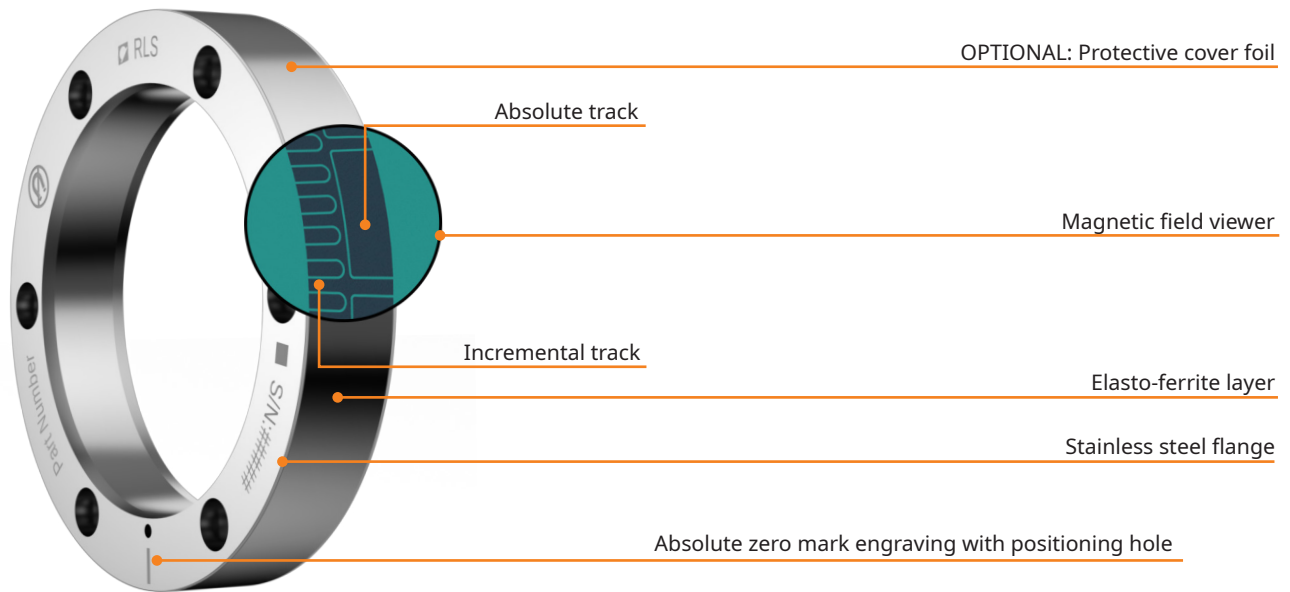
Packaging

All SAR absolute radial rings are supplied individually packaged in an antistatic box.

Magnetic ring design

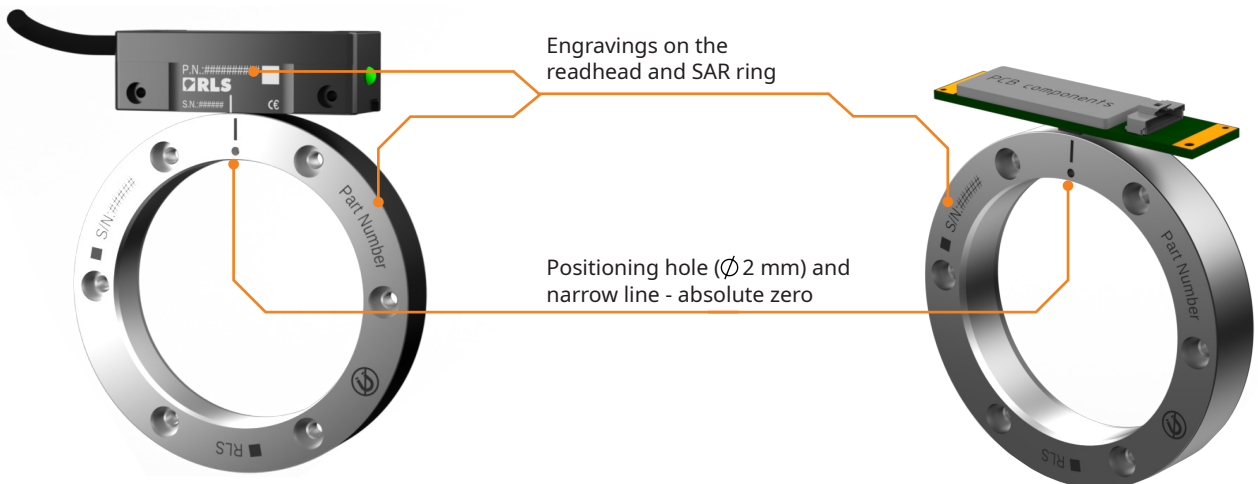
Structure, appearance and markings

The incremental track of the ring is always on the engraving side, as shown in the figure below.



Surface markings, features and orientation of the ring and readhead

All magnetic ring markings include serial number, QR code, RLS logo, part number, absolute zero mark and no-magnet sign. The absolute zero mark engraving can deviate from the actual absolute position zero for $\pm 1^\circ$. The engraving also serves for the orientation purpose between the ring and readhead. The positioning hole ($\varnothing 2$ mm) can be used for repeatable installation of the ring.



Technical specifications

Mechanical data

Ring types	Exposed / with cover foil / completely sealed IP67 (welded)
Material of magnetic layer	NBR + ferrite
Ring dimensions	From outer diameter 57 mm to 478 mm
Hub thermal expansion coefficient (CTE)	$11.2 \times 10^{-6} \text{ K}^{-1}$

Environmental data

Storage and operating temperature	-20 °C to +85 °C
Sealing type	Exposed type: dirt, dust, humidity (non-condensing) Cover foil type: dirt, dust, humidity (non-condensing) Sealed version: IP67 (oils, coolant, grease)
Max non-operational external magnetic field	25 mT

System specifications

Ring PN	Max resolution CPR	Max resolution in arcsec	System accuracy*
SAR057	1,474,560	~0.88	±70 mdeg / ±252 arcsec
SAR081	2,097,152 / 21 bits	~0.62	±40 mdeg / ±144 arcsec
SAR114	2,949,120	~0.44	±30 mdeg / ±108 arcsec
SAR162	4,194,304 / 22 bits	~0.31	±25 mdeg / ±90 arcsec
SAR229	5,898,240	~0.22	±20 mdeg / ±72 arcsec
SAR325	8,388,608 / 23 bits	~0.15	±15 mdeg / ±54 arcsec
SAR478	8,388,608 / 23 bits	~0.15	±15 mdeg / ±54 arcsec

* Installation errors such as eccentricity (run-out) are not included in the system accuracy.

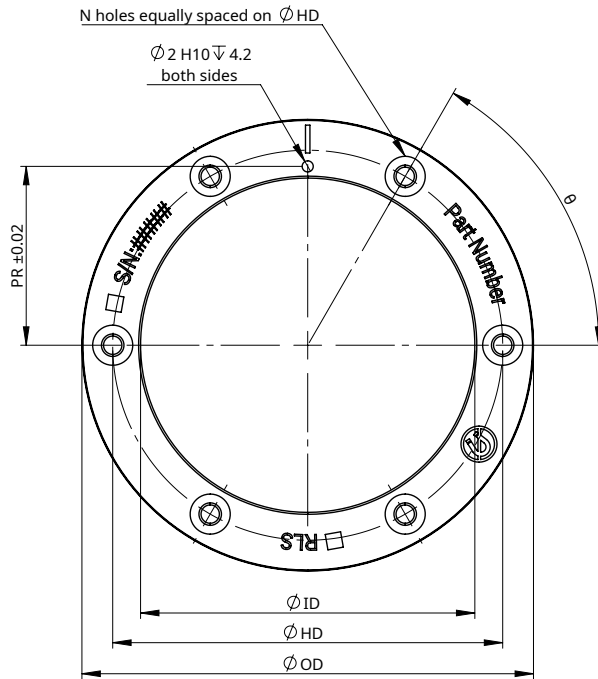
Ring PN	Mass [kg]	Moment of inertia [kg × m ²]
SAR057	0.09	0.06×10^{-3}
SAR081	0.22	0.28×10^{-3}
SAR114	0.31	0.85×10^{-3}
SAR162	0.47	2.7×10^{-3}
SAR229	1.38	15×10^{-3}
SAR325	4.06	78×10^{-3}
SAR478	3.35	171×10^{-3}

Dimensions and installation drawings

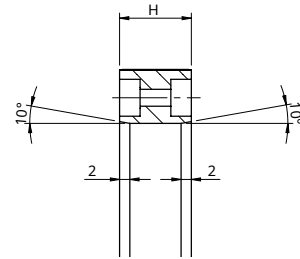
Dimensions and tolerances are in mm. Dimensions without tolerance values are in accordance with ISO 2768-m.



Ring



Ring cross-section



3D models available on [RLS website](#).

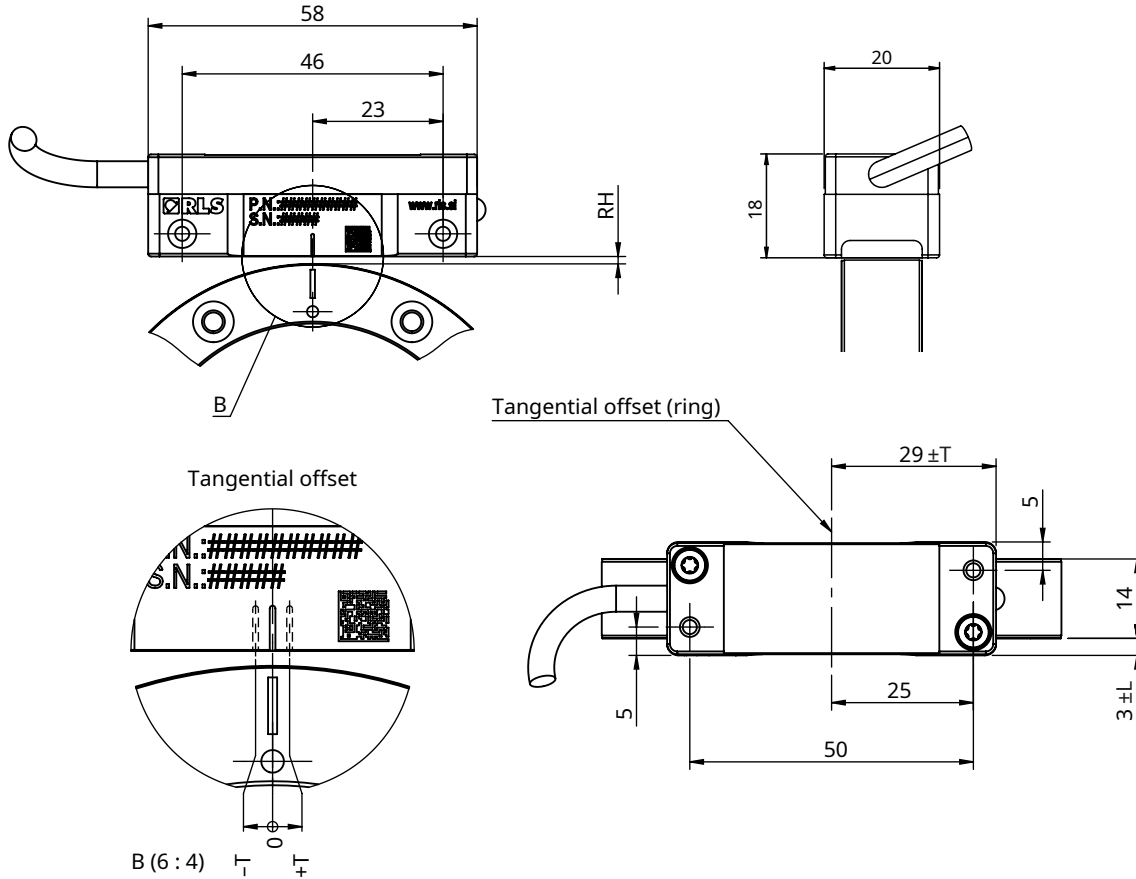
Ring	OD	OD (with cover foil)	ID	Height (H)	HD	Hole [deg]	N of holes	Hole Type	PR [mm]
SAR057	56.70 ±0.01	56.90 ±0.10	45 H6	14	-	-	-	-	25
SAR081	80.90 ±0.01	81.10 ±0.10	60 H6	14	70	60	6	M4 through counterbore both sides $\varnothing 7.2 \nabla 4$	32.1
SAR114	114.00 ±0.01	114.20 ±0.10	95 H6	14	104	60	6	M5 through	50
SAR162	162.40 ±0.01	162.60 ±0.10	143 H6	14	152	60	6		74
SAR229	228.81 ±0.20	228.96 ±0.25	180 H6	12	195	60	6	M6 through counterbore top side $\varnothing 10.5 \nabla 6.5$	92.5
SAR325	325.50 ±0.20	325.65 ±0.25	220 H6	12	235	30	12		112.5
SAR478	478.18 ±0.20	/	425 H7	12	440	30	12	$\varnothing 5.5$ through counterbore top side $\varnothing 10 \nabla 5.4$	220

General tolerances for linear dimensions according to ISO 2768 m

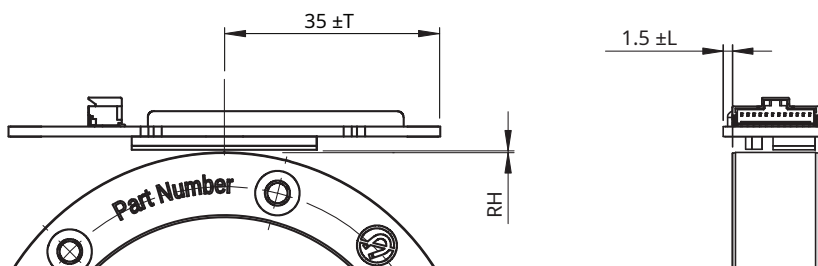
Tolerance class	up to 6	6-30	30-120
m (medium)	±0.1	±0.2	±0.3

The orientation of the readhead and ring is essential. The engraved side of the ring and readhead must match for the orientation to be correct.

Installation with housed readhead



Installation with PCB-A readhead



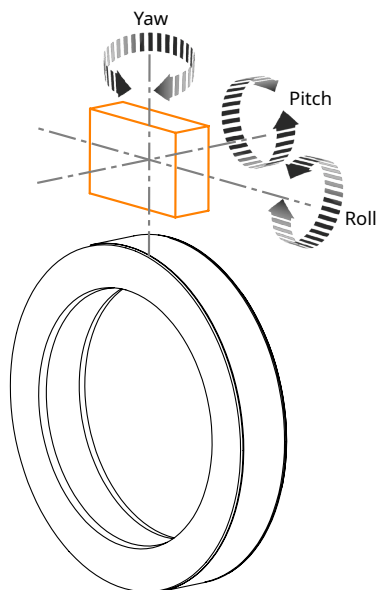
Ring	Ride height (RH) / radial offset	Ride height (RH) / radial offset (with cover foil)	Recommended ride height / radial offset	Lateral offset (L) / axial offset	Tangential (T) / centerline offset
SAR057	0.1 to 0.6 mm	0.1 to 0.5 mm	0.2 mm		0.8 mm
SAR081	0.1 to 0.7 mm	0.1 to 0.6 mm	0.3 mm	1 mm	1 mm
SAR114					
SAR162	0.1 to 0.9 mm	0.1 to 0.8 mm	0.3 mm	1 mm	1 mm
SAR229					
SAR325					
SAR478					

Installation tolerances (readhead to ring)

Non-parallel mounting (roll) $\pm 1^\circ$

Non-parallel mounting (yaw) $\pm 1^\circ$

Non-parallel mounting (pitch) $\pm 1^\circ$



Maximum speed table

Maximum speed values are limited by the mechanical characteristics of the ring and ABZ output (if enabled) on the PCB-A Artos™ module. Refer to [Maximum speed calculator](#).

Ring	Option E (no cover foil)	Option C (with cover foil)	Option W (with welded cover foil)
SAR057	7,000	-	30,000
SAR081	5,000	-	25,000
SAR114	3,500	-	17,000
SAR162	2,500	-	13,000
SAR229	2,000	10,000	-
SAR325	1,000	5,000	-
SAR478	600	-	-

Speed is in rpm.

Installation instructions

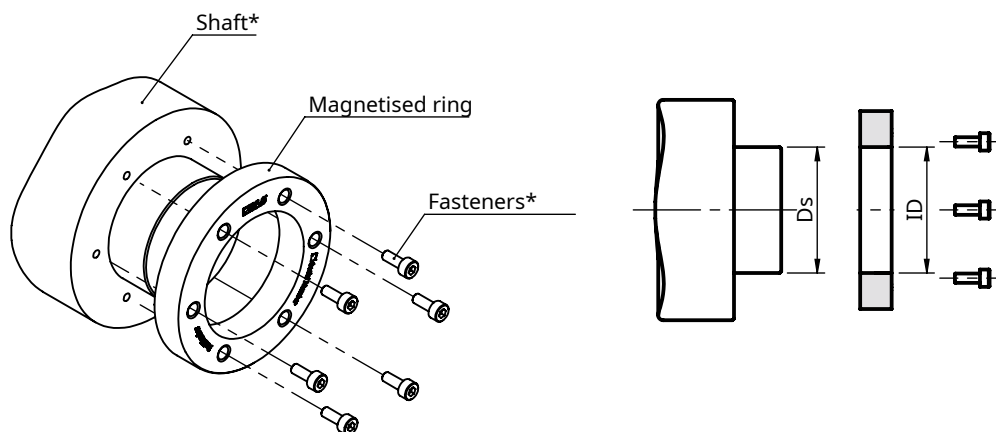
Design the mounting shaft according to the dimensions given in the table below.

Ring	OD	OD (with cover foil)	ID	Shaft diameter (clearance fit installation, fasteners, gluing) - D_s		Shaft outer diameter (press-fit) - D_{spd}	
SAR057	56.70 ±0.01	56.90 ±0.10	45H6	+0.016	-0.009	45n6	0.033
				0	-0.025		0.017
SAR081	80.90 ±0.01	81.10 ±0.10	60H6	+0.019	-0.01	60n6	0.039
				0	-0.029		0.02
SAR114	114.00 ±0.01	114.20 ±0.10	95H6	+0.019	-0.012	95n6	0.045
				0	-0.034		0.023
SAR162	162.40 ±0.01	162.60 ±0.10	143H6	+0.025	-0.014	143n6	0.052
				0	-0.039		0.027
SAR229	228.81 ±0.20	228.96 ±0.25	180H6	+0.025	-0.014	180n6	0.052
				0	-0.039		0.027
SAR325	325.50 ±0.20	325.65 ±0.25	220H6	+0.029	-0.015	220n6	0.06
				0	-0.044		0.031
SAR478	478.18 ±0.20	/	425H7	+0.063	-0.02	425n6	0.08
				0	-0.06		0.04

Installation with fasteners

Installation with fasteners is possible with the rings SAR081, SAR114, SAR162, SAR229, SAR325 and SAR478. Ensure that the installation surface is clean and free from contamination. Rings must be attached with fasteners in accordance with the installation drawings.

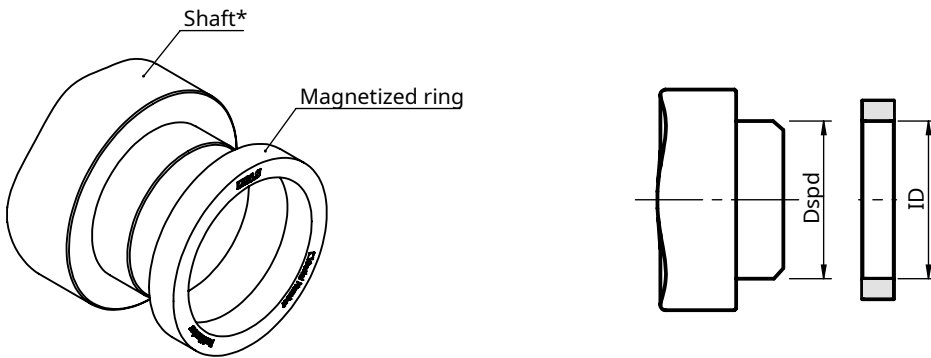
For recommended tightening torque see [Table of recommended fasteners tightening torques](#).



* Not provided.

Installation by press-fitting

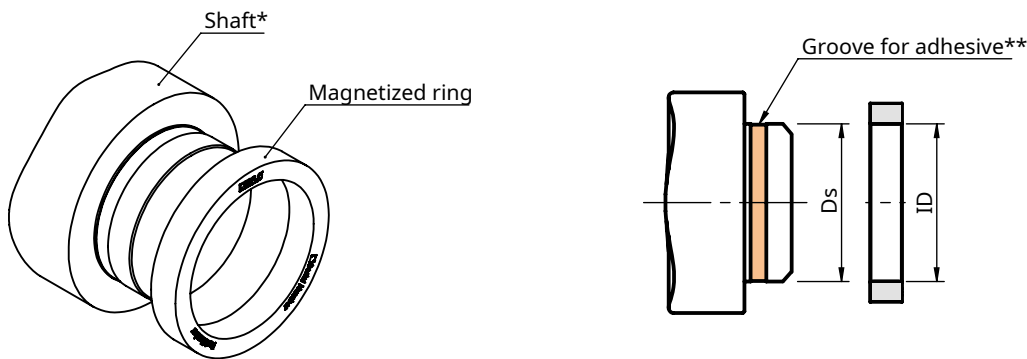
Ensure that the installation surface is clean and free from contamination. Slip the ring onto the mating shaft applying equal or uniform force along the whole ring circumference. For recommended shaft diameter (D_{spd}) see table above.



* Not provided.

Installation by gluing

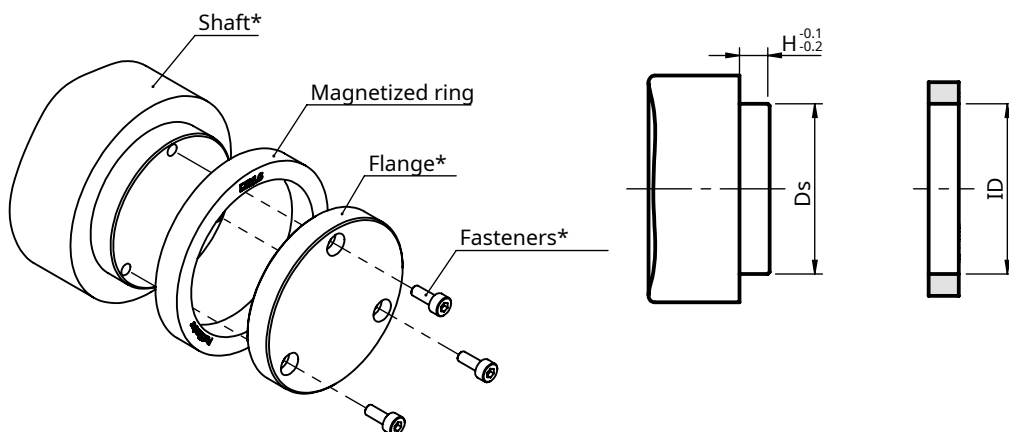
Ensure that the installation surface is clean and free from contamination. For more information see the adhesive manufacturer's data sheet.



* Not provided.

** For the depth of the groove, please check the specifications of the adhesive (adhesive not provided).

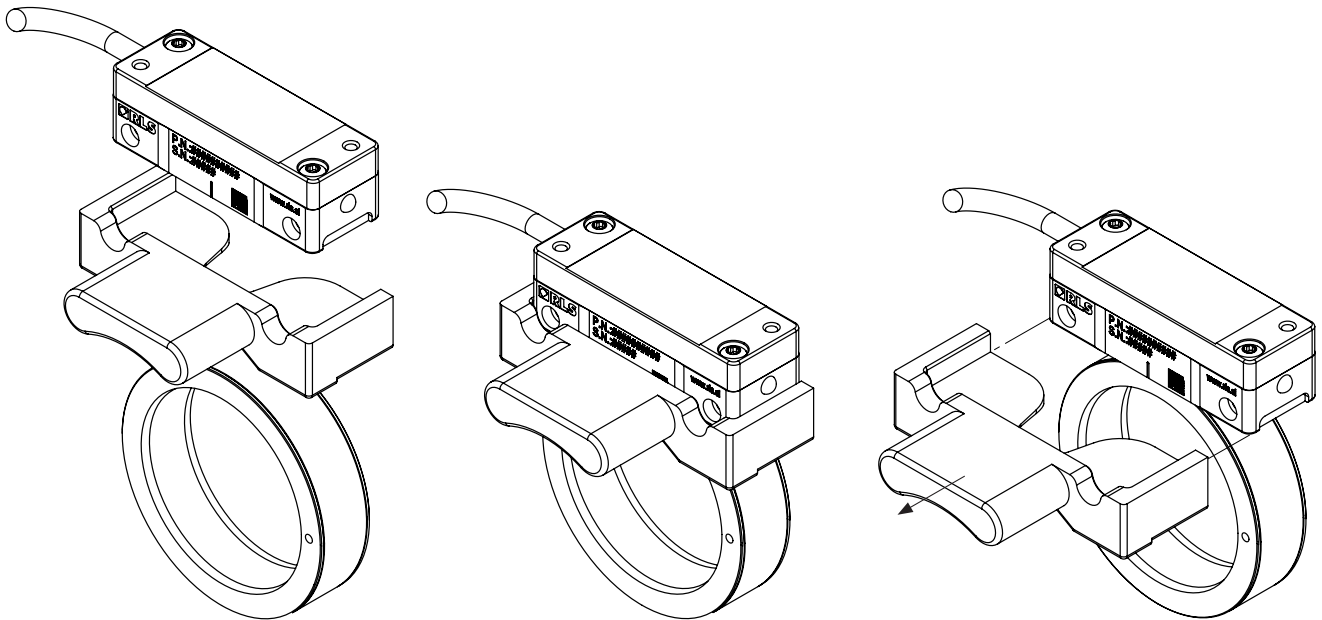
Installation with flange



* Not provided.

Readhead installation with a dedicated installation tool

A special installation tool can be supplied for easier, more reliable and time-saving installation of the readhead in relation to the ring. The installation tool limits the readhead in 6 directions (ride height/radial offset, centerline/tangential, yaw, axial/lateral, pitch and roll offset) and thus ensures precise alignment of the readhead, guaranteeing optimal performance. A dedicated mounting tool is required for each SAR ring to adjust the diameter of the ring. Please check the part number diagram to select the correct installation tool for the selected ring.



Part numbering

SAR 057 C 045 A F 14 E A P 00

Outer diameter

057 - 57 mm 229 - 229 mm
081 - 81 mm 325 - 325 mm
114 - 114 mm 478 - 478 mm
162 - 162 mm

Readhead type

C - Radial absolute IP-67 readhead
D - Radial absolute PCB-A module readhead

Inner diameter

045 - 45 mm 180 - 180 mm
060 - 60 mm 220 - 220 mm
095 - 95 mm 425 - 425 mm
143 - 143 mm

N/A

A - N/A

N/A

F - N/A

Cross section

14 - 14 mm thickness
12 - 12 mm thickness

IP rating class

E - Exposed (Without cover foil)
C - Cover foil (SAR229 and SAR325)
W - Completely sealed IP67

Material

A - Martensitic stainless steel hub with bonded rubber tape

Packaging type

P - Individual packaging

Special requirements

00 - No special requirements

Not all part number combinations are valid. Please refer to the table of available combinations.

Table of available combinations

Series	Outer diameter	Readhead type	Inner diameter	N/A	N/A	Height	Degree of protection	Material	Packaging type	Special requirements
SAR	057	C / D	045	A	F	14	E / W	A	P	00
	081		060							
	114		095							
	162		143							
	229		180			12	E / C			
	325		220							
	478		425							

Installation tool

	IT	R	AH	0114	V0	00
Accessory						
IT - Installation tool						
Type of the magnetic ring/scale						
R - SAR ring						
Type of the readhead						
AH - Housed readhead						
Outer diameter						
0057 - For ring OD 57 mm						
0081 - For ring OD 81 mm						
0114 - For ring OD 114 mm						
0162 - For ring OD 162 mm						
0229 - For ring OD 229 mm						
0325 - For ring OD 325 mm						
0478 - For ring OD 478 mm						
N/A						
V0 - N/A						
Special requirements						
00 - No special requirements						

Table of available combinations

Accessory	Type of the magnetic ring/scale	Type of the readhead	Outer diameter	N/A	Special requirements
IT	P	AH	0057	V0	00
			0081		
			0114		
			0162		
			0229		
			0325		
			0478		

Accessories



Magnet viewer
MM0001



Installation tool for Artos™ rings
IT

Head office

RLS Merilna tehnika d. o. o.

Poslovna cona Žeje pri Komendi
Pod vrbami 2
SI-1218 Komenda
Slovenia

T +386 1 5272100
E mail@rls.si
www.rls.si

Global support

Visit our [website](#) to contact your nearest sales representative.

Document issues

Issue	Date	Page	Description
1	19. 3. 2024	-	New document

This product is not designed or intended for use outside the environmental limitations and operating parameters expressly stated on the product's data sheet. Products are not designed or intended for use in medical, military, aerospace, automotive or oil & gas applications or any safety-critical applications where a failure of the product could cause severe environmental or property damage, personal injury or death. Any use in such applications must be specifically agreed to by seller in writing, and is subject to such additional terms as the seller may impose in its sole discretion. Use of products in such applications is at buyer's own risk, and buyer will indemnify and hold harmless seller and its affiliates against any liability, loss, damage or expense arising from such use. Information contained in this data sheet was derived from product testing under controlled laboratory conditions and data reported thereon is subject to the stated tolerances and variations, or if none are stated, then to tolerances and variations consistent with usual trade practices and testing methods. The product's performance outside of laboratory conditions, including when one or more operating parameters is at its maximum range, may not conform to the product's data sheet. Further, information in the product's data sheet does not reflect the performance of the product in any application, end-use or operating environment buyer or its customer may put the product to. Seller and its affiliates make no recommendation, warranty or representation as to the suitability of the product for buyer's application, use, end-product, process or combination with any other product or as to any results buyer or its customer might obtain in their use of the product. Buyer should use its own knowledge, judgment, expertise and testing in selecting the product for buyer's application, end-use and/or operating environment, and should not rely on any oral or written statement, representation, or samples made by seller or its affiliates for any purpose. EXCEPT FOR THE WARRANTIES EXPRESSLY SET FORTH IN THE SELLER'S TERMS AND CONDITIONS OF SALE, SELLER MAKES NO WARRANTY EXPRESS OR IMPLIED WITH RESPECT TO THE PRODUCT, INCLUDING ANY WARRANTY OF MERCHANTABILITY OR FITNESS FOR ANY PARTICULAR PURPOSE, WHICH ARE DISCLAIMED AND EXCLUDED. All sales are subject to seller's exclusive terms and conditions of sale which, where the seller is (a) RLS Merilna tehnika d. o. o., are available at www.rls.si/customer-service, (b) Renishaw, Inc., are available at www.renishaw.com/Shop/legal/en/-42186, or (c) another person, are available on request, and in each case, are incorporated herein by reference, and are the exclusive terms of sale. No other terms and conditions apply. Buyer is not authorized to make any statements or representations that expand upon or extend the environmental limitations and operating parameters of the products, or which imply permitted usage outside of that expressly stated on the data sheet or agreed to in writing by seller.

RLS Merilna tehnika d. o. o. has made considerable effort to ensure the content of this document is correct at the date of publication but makes no warranties or representations regarding the content. RLS Merilna tehnika d. o. o. excludes liability, howsoever arising, for any inaccuracies in this document. © 2024 RLS d. o. o.