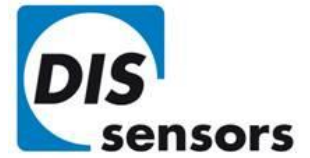


QR series



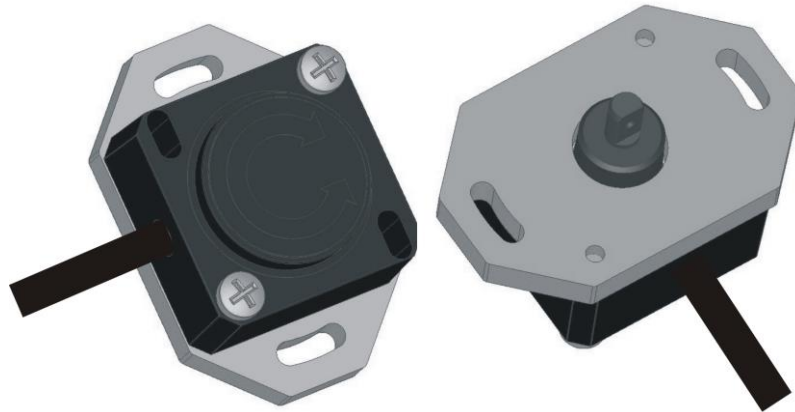
QR46-090HB-I-P0,1CS3p

Absolute rotary encoder (contactless)

Output
4 - 20 mA

Supply voltage
10 - 32 Vdc

Measuring range
90° (±45°)



General specifications 12950, v20220314

Q46: PBT black with metal plate

40.5x63x28 mm, shaft excluded.

Mounting holes in bracket for 2x M4 (screws not included)

IP66

0 - 95% (non condensing, fully potted)

approx 70 gr (cable excluded)

Stainless steel Ø 6 mm

D-type 4,6mm with Ø2mm hole (compatible with Elobau lever 350210)

Polyamide (glass-filled), Radial force < 1Nm, Axial force < 8N (push & pull)

13,65 mm w.r.t. mounting surface

10 - 32 Vdc

Yes

≤ 25 mA

-25 to 80°C

-25 to 85°C

90° (±45°)

No, use slot holes to adjust 0° point during mounting

12 bit over 360° (min. step 0,09°)

±0.5% typ. (@20°C), ±1% typ. (full Temp. range)

± 7°

< ± 1°

0,13°

< 4 ms

15 rpm

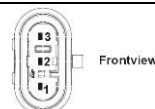
4 - 20 mA

Yes (T<55°C), Max 10 s (T>55°C)

Rload ≤ 50*Vs - 300 [Ω]

Pigtail cable: 0,1 m TPE/PP Li9y12y, black ø5,2 mm, wires: 3x0,5 mm², connector AMP superseal 1.5 series 3-pole Cap housing (=male) (p/n 282105-1) Tab contacts (p/n 183036-1) with wire seals (p/n 281934-4) and rubber boot (p/n 880811-2)

Pin 1: (Black1) Gnd
Pin 2: (Black2) Supply Voltage
Pin 3: (Black3) Output



Frontview

Housing

Dimensions (indicative)

Mounting

Ingress Protection (IEC 60529)

Relative Humidity

Weight

Shaft

Shaft type

Shaft bearing

Shaft length

Supply voltage

Polarity protection

Current consumption

Operating temperature

Storage temperature

Measuring range

Programmable center position

Accuracy

Resolution

Sensitivity error

Offset error

Non linearity

Repeatability

Response time

Max speed

Output signal

Short circuit protection

Output load resistor

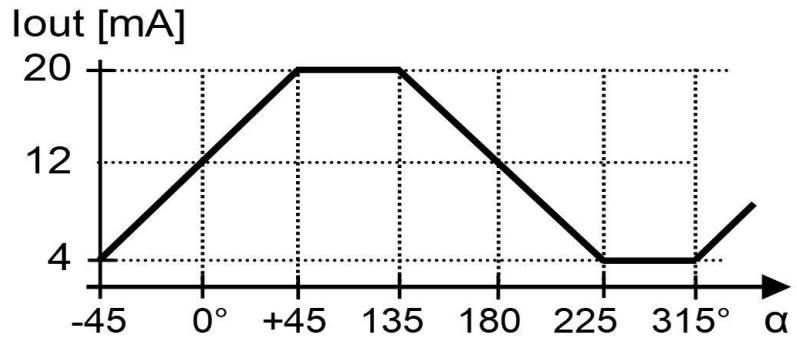
Connection (length ±10%)

Wire coding

QR series

QR46-090HB-I-P0,1CS3p

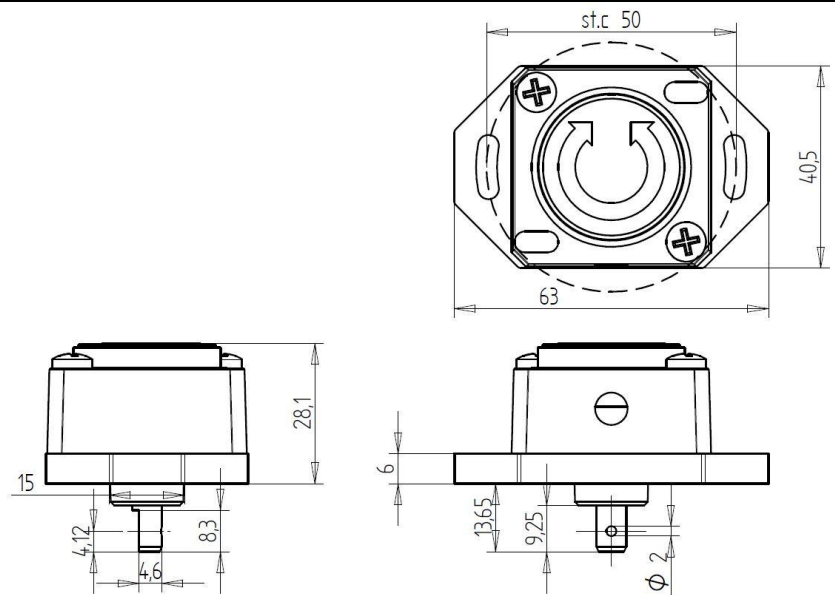
Transfer characteristic



CCW from 0°:
output decreases

CW from 0°:
output increases

Dimensions (indicative only)



Options

Product Picture

