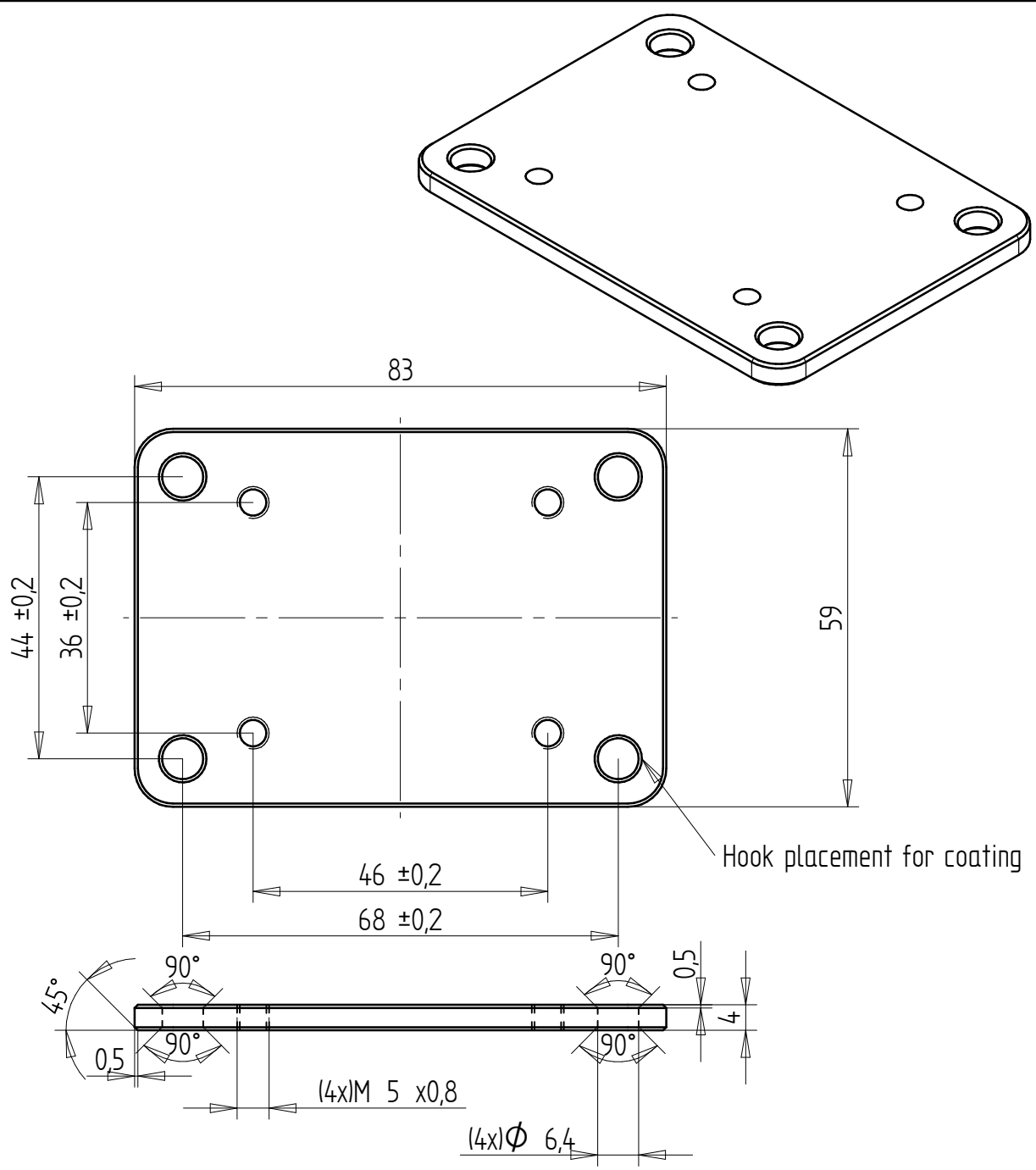


Email this document after approval by providing it with your signature, company stamp and date on initial orders and revision update



**General note:**

- Threaded holes need to be M5x0,8 after coating
- Deburr all edges
- Parts should be clean of manufacturing residues

Approval by supplier Signature of authorised signatory:	Rev.	Description	Date	Name	Part No & Name: QG65 mounting bracket	Material: S235JR gebeitst
						Colour: Black
Date: Company stamp:					Assembly No:	Surface finish: KTL Black
						Flatness tol. : 0,5 mm
						Scale: 1:1
						Gen.Tol. : 0,5 mm
						Entity: mm
	A	Concept	18/01/2023	L.M.		Size: A4
	Dis Sensors BV Oostergracht 40 3763 LZ Soest Tel. (+31)35 60 38 181 the Netherlands					Retreive missing dimensions from 3D-file
						American Proj.

Client is not allowed to make any changes or have any changes made to any design, document or product of Dis-Sensors bv without the prior written consent of Dis-Sensors bv