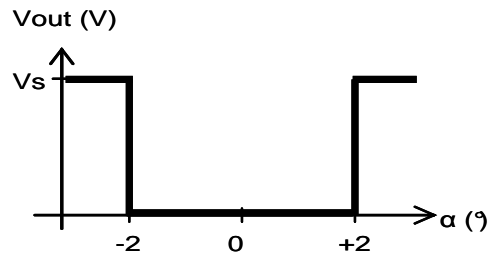


QG40-KD-002H-AS-CM

Signal 1: $> \pm 2^\circ$, active after $> 3s$
 Signal 2: $> \pm 2,5^\circ$, active direct

Signal 1: intermittent beeping
 Signal 2: continuous beep

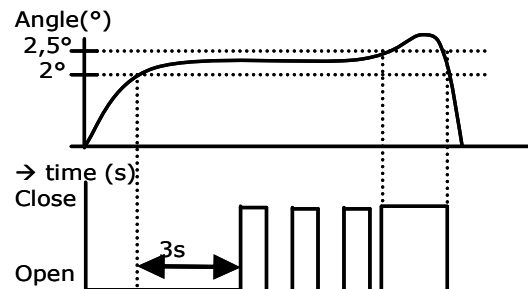
Transfer characteristic



QG40-KD-002H-AS-CM

Unpowered sensor: output is off.
 Scissor low active: output is off

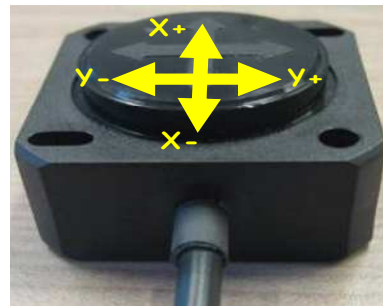
Hold time



QG40-KD-002H-AS-CM

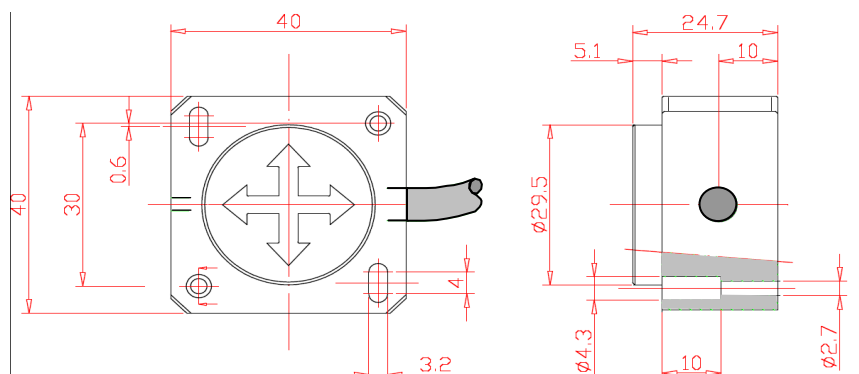
The mechanical offset between $\pm 5^\circ$ can be adjusted by connecting "zero input" to ground.

Measurement orientation



QG40-KD-002H-AS-CM

Meachanical dimensions



Product conformity

CE conformity

Test standards and regulations

The model QG30 complies with the requirements of the standards EN50081-1 and EN50082-1.