

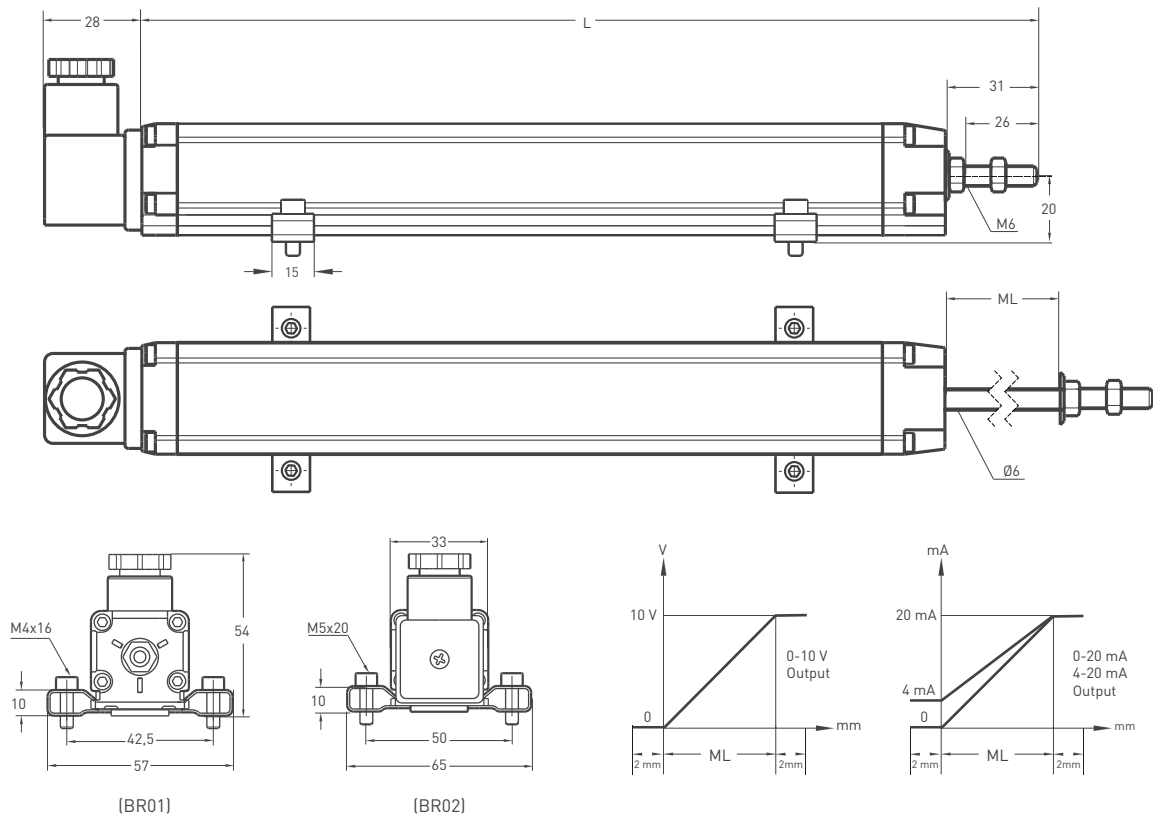
Magnetostrictive Position Sensor

- Measuring range 100 - 1000 mm
- 16 bit resolution
- 0 - 10V, 0 - 20mA, 4 - 20mA
- 24 V DC $\pm 10\%$ power supply



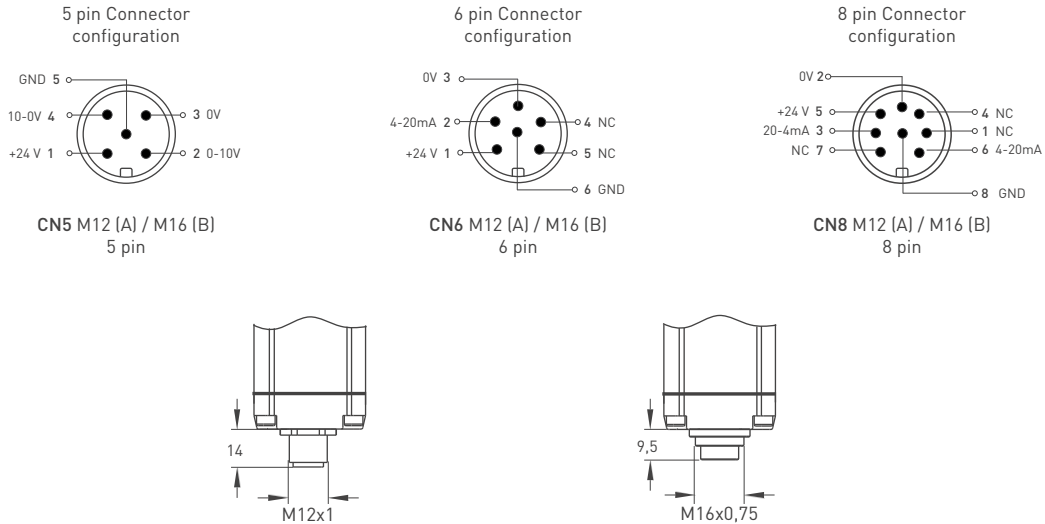
Technical specifications	
Measurement stroke	100 to 1000 mm
Resolution	16 bit DAC output
Linearity	$\pm 0,05\%$ full scale (min. 100 μm)
Repeatability	$\pm 0,05\%$ (full scale)
Output	0 - 10V 0 - 20mA 4 - 20mA
Power supply	24 V DC $\pm 10\%$
Speed	< 10 m/s
Update time	(0-600mm, 0,5ms) , (601-1000mm, 1ms)
Max. consumption	50 mA - 90 mA (depending on stroke length)
Max. output noise	< 5 mVpp
Max. output value	10,5 V
Reverse polarity protection	Yes, Up to [-30 VDC]
Overvoltage protection	Yes, Up to [30 VDC]
Case dimensions	33 mm x 33 mm
Case material	Anodized aluminium
Rod material	Stainless steel
Rod diameter	$\varnothing 6$ mm
Mechanical fixing	Variable brackets
Protection level	IP 65 - EN 60529
Operating temperature	-10°C ... +70°C
Storage temperature	-30°C ... +90°C

Mechanical specifications

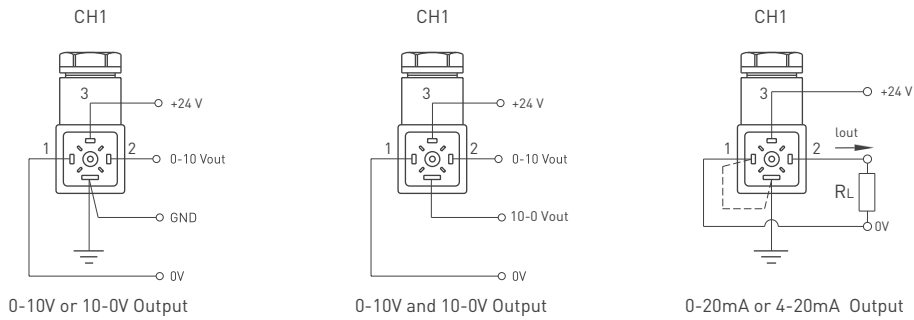


MSR [mm]	100	150	200	250	300	350	400	450	500	550	600	650	700	750	800	850	900	1000
ML (Measuring Length)	100	150	200	250	300	350	400	450	500	550	600	650	700	750	800	850	900	1000
L (Total Length)	311	361	411	461	511	561	611	661	711	761	811	861	911	961	1011	1061	1111	1211

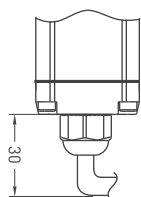
Round Connector



Hydraulic Type Connector



Cable



Voltage Output

+V : Brown
 0V : Blue
 0V sense : Black
 Output 1 : White (0-10V)
 Output 2 : Orange (10-0V)
 Earth : Shield

Current Output

+V : Brown
 0V : Blue
 0V sense : Black
 Output 1 : White (4-20 mA)
 Output 2 : Orange (20-4 mA)
 Earth : Shield

Cable Length

1M : 1 meter (standard)
 (Different cable lengths available)

Ordering Procedure

Model	Measurement stroke	Resolution	Output	Connector / Cable	Bracket
MSR	300	A	V10	CH1	BR02
MSR	100 ... 1000 mm	A: 16 bit B: 12 bit	V10 :0-10V I40 :4-20mA V01 :10-0V I41 :4-20mA/20-4mA V11 :0-10V/10-0V I04 :20-4mA V50 :0-5V I20 :0-20mA V05 :5-0V I02 :20-0mA V51 :0-5V/5-0V I21 :0-20mA/20-0mA	1M : 1 meter 2M5 : 2,5 meter CH1 : Hydraulic type CN5A : M12 CN5B : M16 CN6A : M12 CN6B : M16 CN8A : M12 CN8B : M16	BR01 BR02