

HiLin

High-accuracy Linear Magnetic Encoder System

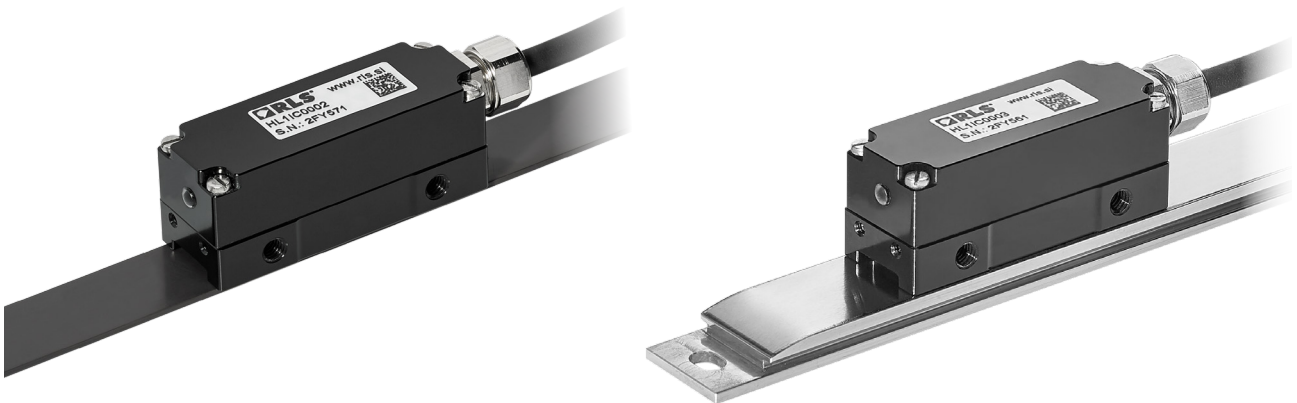
HIGH
ACCURACY

ROBUST
DESIGN

HIGH SPEED

The HiLin series of high accuracy magnetic encoders is a family of linear incremental systems suitable for a variety of demanding applications. The incremental encoder system consists of a compact sealed readhead and a separate magnetic scale.

The readheads are available in high resolution and offer customer-selectable interpolation factors that allow much more freedom in designing advanced systems. At the same time, low hysteresis and low interpolation error can be easily achieved, while maintaining a ride height tolerance within 0.2 ± 0.1 mm.



Features and benefits

- ▶ Customer selectable resolutions down to $0.1 \mu\text{m}$
- ▶ Unique, periodic or distance-coded reference mark
- ▶ Low hysteresis: $\leq 1 \mu\text{m}$
- ▶ Low interpolation error (SDE): $\pm 1.5 \mu\text{m}$
- ▶ High speed: 25.28 m/s with $1 \mu\text{m}$ resolution
- ▶ Industry-standard digital incremental RS422 output
- ▶ Wide operating temperature range from $-40 \text{ }^\circ\text{C}$ to $+75 \text{ }^\circ\text{C}$



LINEAR MOTOR



PRINTING TECHNOLOGY



SMT PICK AND PLACE



SERVO
MECHANISMS



HARSH ENVIRONMENT

General information

The encoders provide an industry standard digital RS422 output. The readheads are fully sealed and feature high IP67 environmental protection, ensuring reliable operation in environments contaminated with particles, vapours and liquids. If damaged, a readhead can be easily replaced due to a detachable cable, which reduces costs.

Depending on the requirements of the application, different magnetic scale options can be selected. The most cost effective, lightweight and compact option is a self-adhesive scale with an accuracy of $\pm 10 \mu\text{m}$, which allows longer measuring lengths.

If higher accuracy is required, a solid stainless steel substrate scale with an accuracy class of $\pm 5 \mu\text{m}$ is the solution. The stainless steel substrate allows thermal expansion and improves thermal compensation, while the welded cover foil completely encapsulates the scale and protects it from aggressive industrial chemicals. In addition, the scale does not have a fixed screw hole pattern, allowing greater installation flexibility.

The non-contact, frictionless design of the HiLin encoder system eliminates the need for special guide and sealing systems in aluminium profiles. The size of the readhead and scale can therefore be reduced considerably without affecting the speed or the robustness of the system. The HiLin encoder systems are a reliable solution for a variety of machines, e.g. lathes, EDM, precise laser or water jet cutting, grinding or milling machines, printers, presses, etc.

Choose your HiLin system

HiLin + MS19 or MS20
magnetic scale



HiLin + HMS Solid magnetic
scale



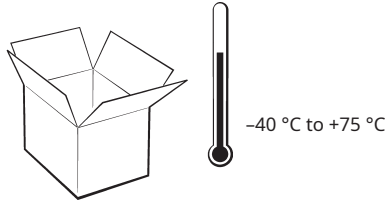
HiLin + HMS Solid magnetic
scale with welded cover foil



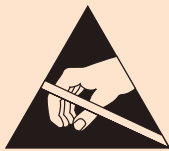
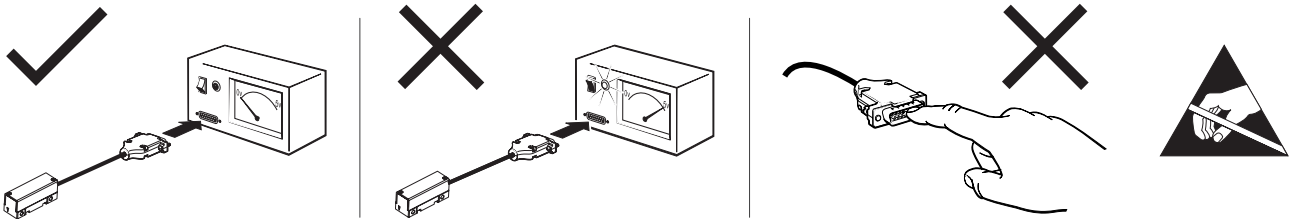
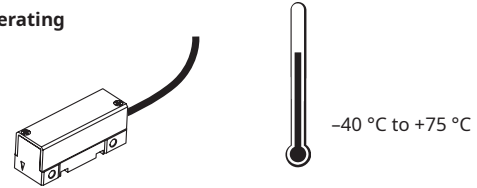
The pictures above do not represent all variants.
The HiLin readhead is available with 9-pin D type plug, connector only or flying lead.

Storage and handling

Storage

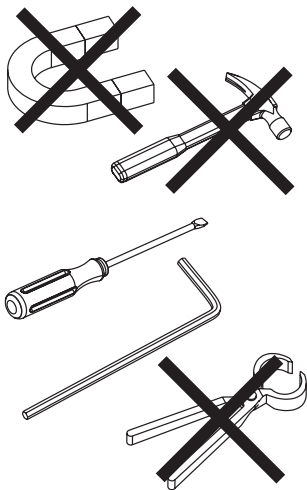


Operating



Readhead is ESD sensitive - handle with care.

Do not touch electronic circuit, connector pins, wires or sensor area without proper ESD protection or outside of ESD controlled environment.



HANDLE WITH CARE

HiLin encoder system is a high performance metrology product and should be handled with the same care as any other precision instrument. The use of industrial tools during installation or exposure to strong magnets such as a magnetic base is not recommended as it carries the risk of damaging parts of the system which as a result might not perform in accordance with specifications.

Packaging

| | |
|-----------------------------|---|
| Readhead | Each readhead is packed individually in an antistatic bag, according to EMC. |
| Magnetic scale | Each magnetic scale is packed in a spiral. |
| Solid magnetic scale | Each solid magnetic scale is packed individually in a wooden box. Fasteners and washers are packed in a separate bag. |

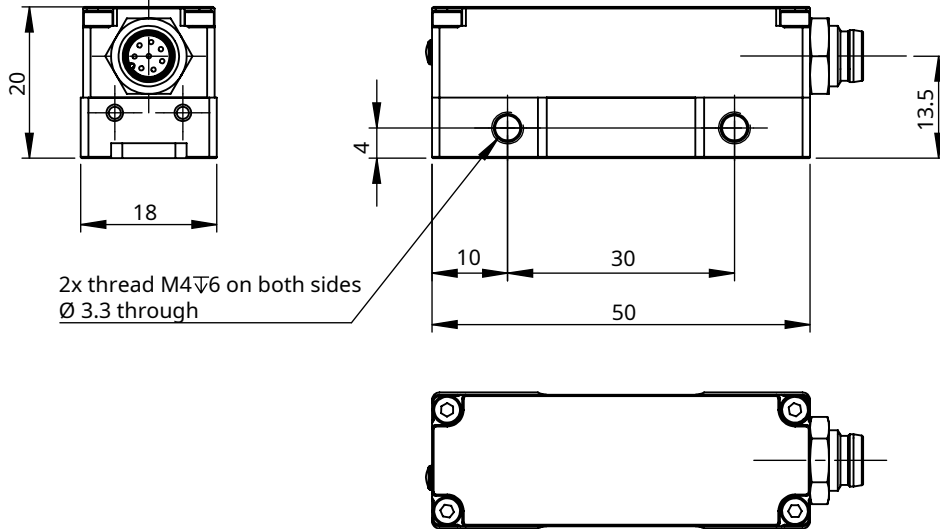
All MS magnetic scales have 12 months shelf life and should be installed within this period.

Dimensions and installation drawings

Dimensions and tolerances are in mm.

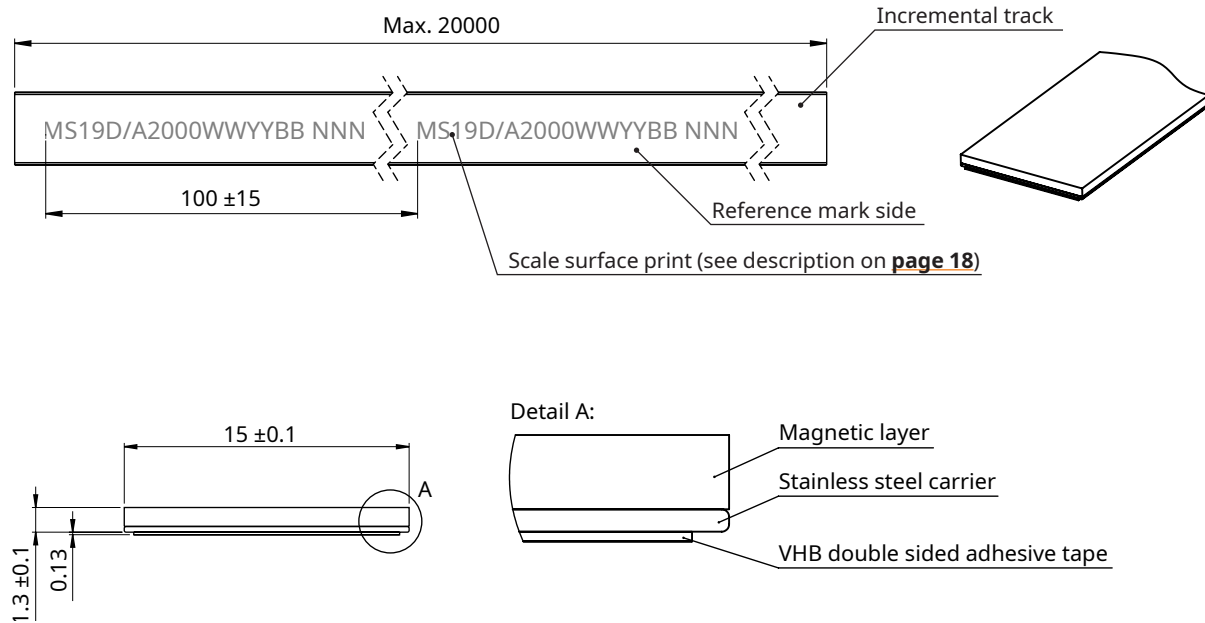
Readhead

HiLin magnetic encoder

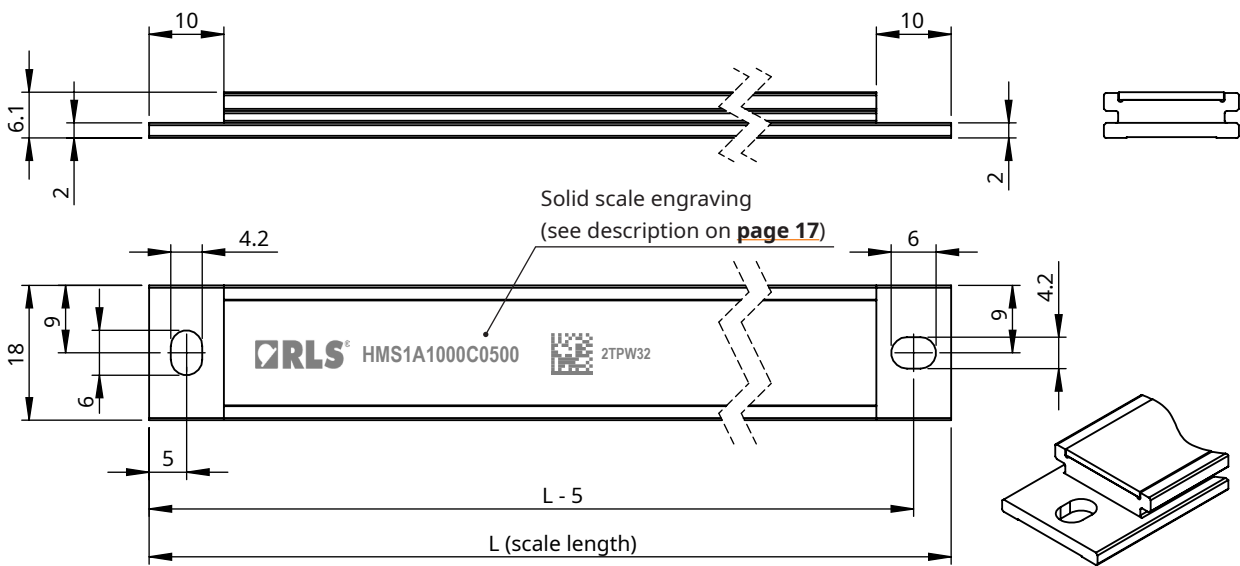


Magnetic scales

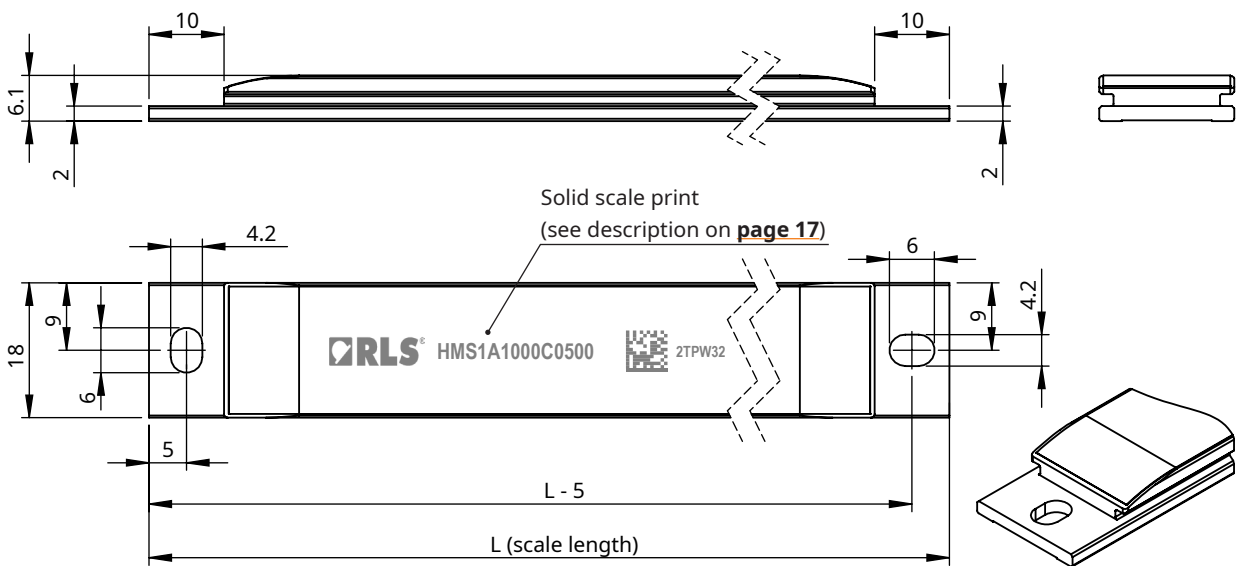
MS19 and MS20 Magnetic scale



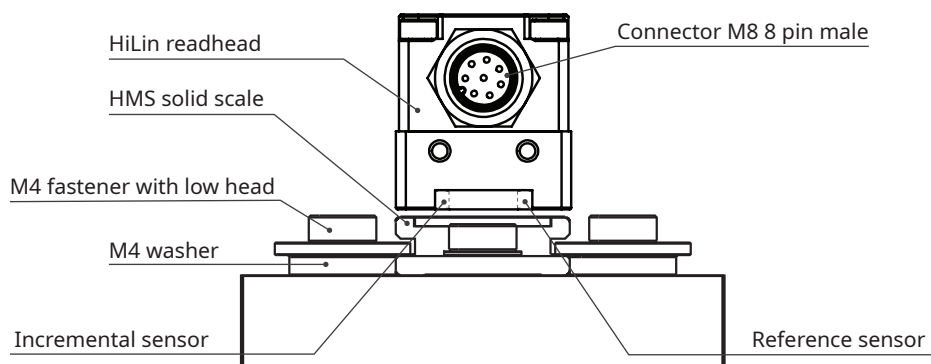
HMS Solid magnetic scale



HMS Solid magnetic scale with welded cover foil



Encoder assembly



Installation instructions

Dimensions and tolerances are in mm.

Installation of MS19/20 magnetic scale with adhesive tape

Installation surface preparation

MS19 and MS20 magnetic scales are equipped with VHB backside adhesive tape. Most substrates are best prepared by cleaning with a 50:50 mixture of isopropyl alcohol and water before applying the magnetic scale. Exceptions to the general procedure that may require additional surface preparation include:

- Heavy oil/grease: To remove heavy oil or grease from a surface, a degreaser or solvent-based cleaning agent may be required, followed by cleaning with IPA/water.
- Abrasion: Sanding a surface and then cleaning with IPA/water can remove heavy dirt or oxidation and improve adhesion.
- Adhesion promoters: Priming a surface can significantly improve initial and ultimate adhesion to many materials such as plastics and paints.
- Porous surfaces: Most porous and fibrous materials such as wood, chipboard, concrete, etc. must be sealed to provide a unified surface.
- Unique materials: Special surface preparation may be required for glass and glass-like materials, copper and copper-containing metals, plastics or rubber containing migrating components (e.g. plasticisers).

Further information can be found under ["Surface Preparation for 3M™ VHB™ Tape Applications"](#).

Shelf life

All MS magnetic scales have 12 months shelf life and should be installed within this period.

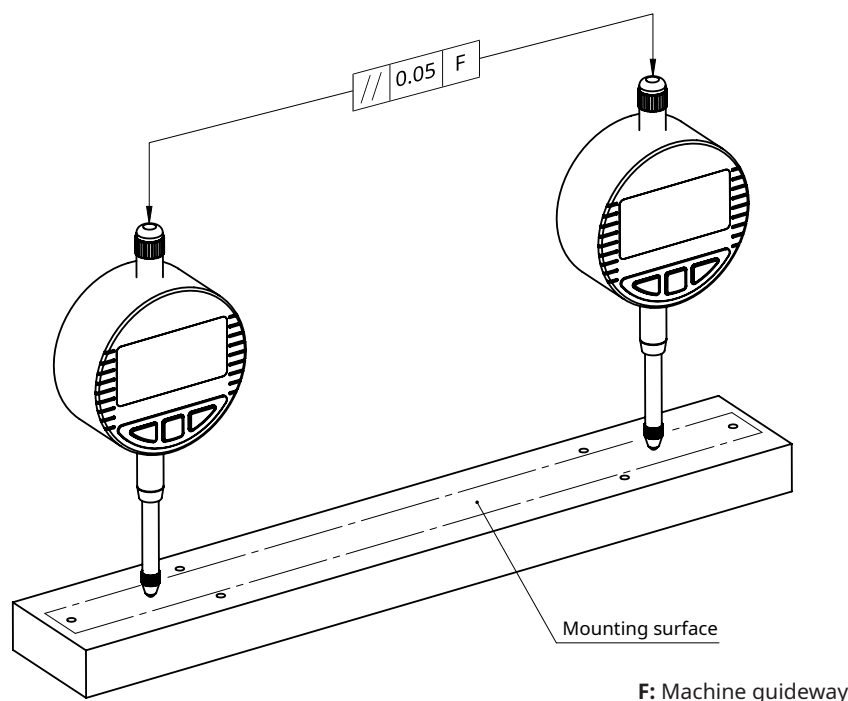
Scale application

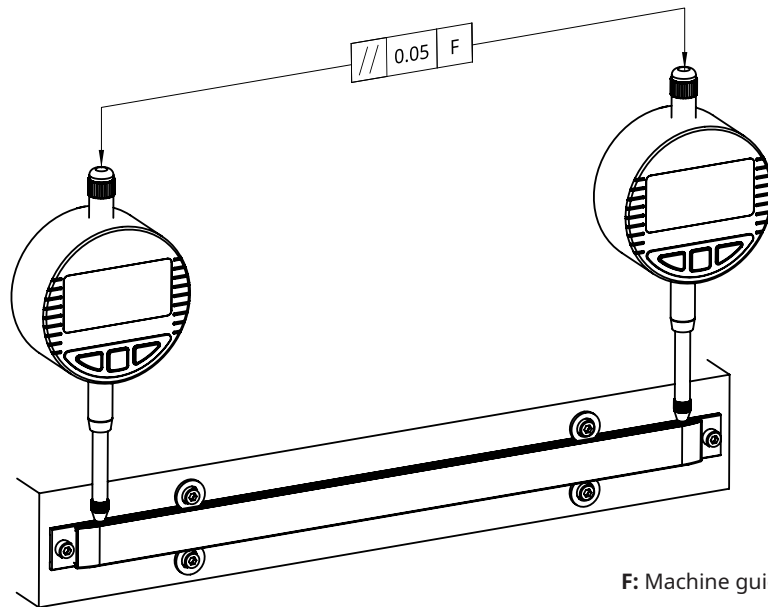
Good surface contact can be achieved by applying a pressure of about 100 kPa. At room temperature, approximately 50 % of the final bond strength is achieved after 20 minutes, 90 % after 24 hours and 100 % after 72 hours. Dynamic overlap shear (peak force to separate is measured after 72 hours dwell time): 830 kPa.

Solid magnetic scale installation

Mounting on steel substrate with similar coefficient of thermal expansion (CTE) – recommended

Make sure that the mounting surface of the magnetic scale has been cleaned and degreased before you proceed.



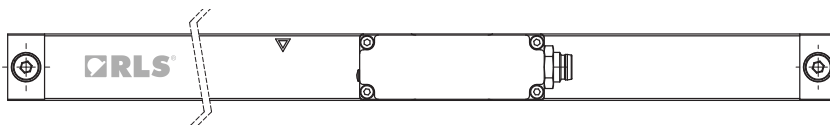


F: Machine guideway

To achieve specified performance, maintain the mounting surface and the readhead guideway inside 0.05 mm parallelism according to the machine guideway.

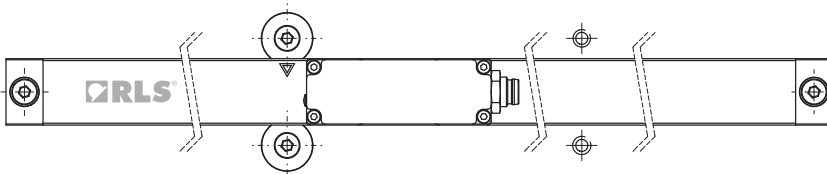
For scales up to 150 mm long:

Mount the left-most and right-most fasteners with a force of 1.2 Nm (no washers required).



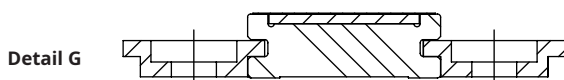
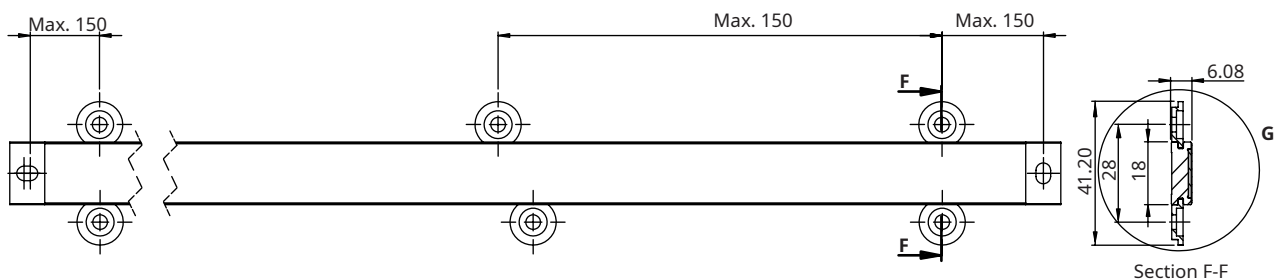
For scales longer than 150 mm:

Use washers every 150 mm along the scale to prevent deflection. Mount the left-most and rightmost fasteners with force of 1.2 Nm. A required number of fasteners and washers is supplied with the scale.



Example of HMS scale mounting (top view):

Dimensions and tolerances are in mm.

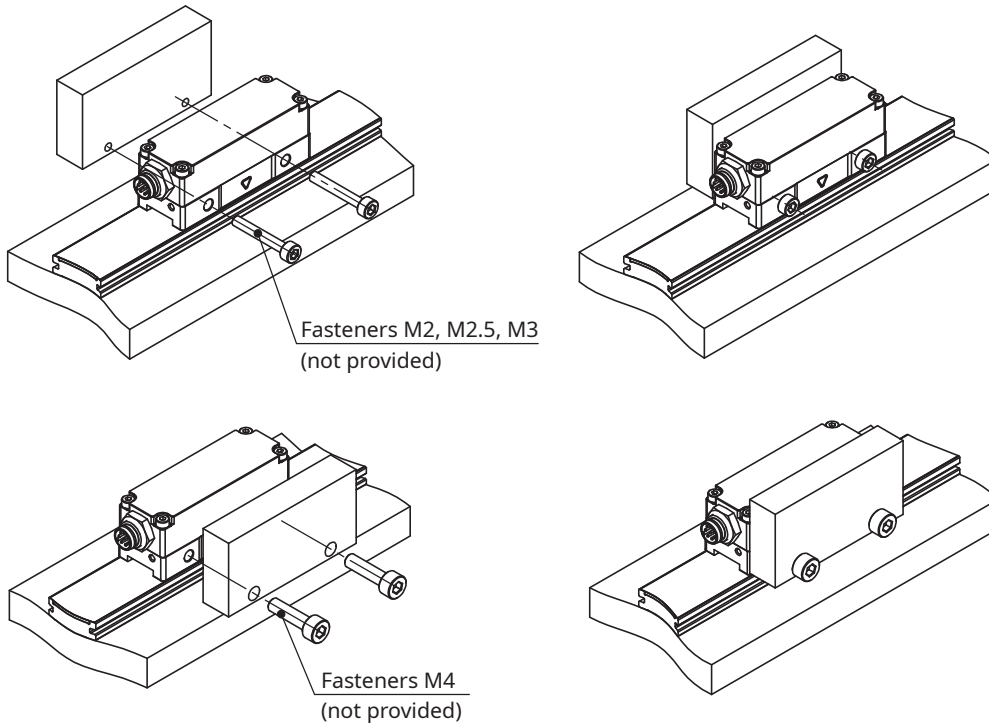


Readhead installation

The readhead LED must be green at all measuring length positions. Otherwise the installation is not performed correctly. To facilitate installation, the readhead is supplied with a 0.2 mm thick spacer. After mounting the magnetic scale, place the spacer and the readhead on the magnetic scale. Ensure that the readhead, spacer and magnetic scale are in full contact. Before removing the spacer, tighten the readhead with M3 fasteners to the holder.

Make sure that the readhead is correctly aligned. There is a triangular mark on the side of the reference sensor.

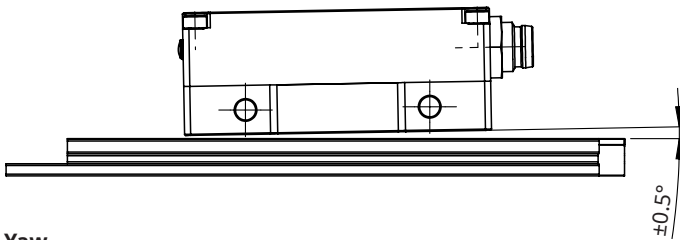
The triangular mark on the readhead and the scale reference mark must be on the same side for the alignment to be correct.



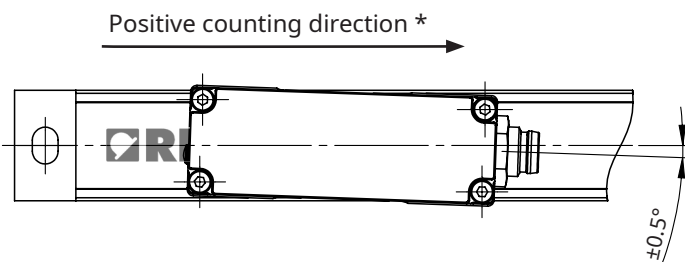
Installation tolerances

HiLin readhead with HMS Solid magnetic scale

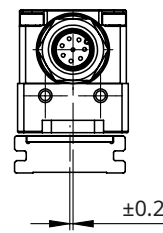
Pitch



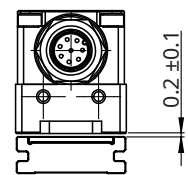
Yaw



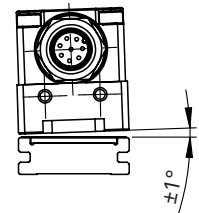
Lateral offset



Ride height

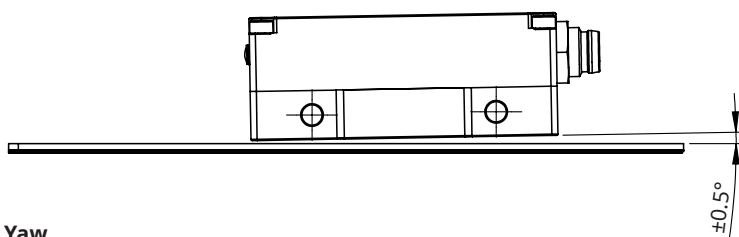


Roll

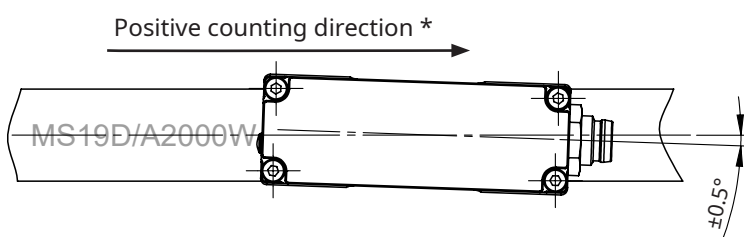


HiLin readhead with MS19/MS20 Magnetic scale

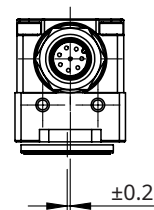
Pitch



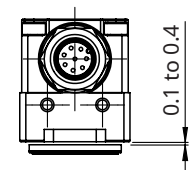
Yaw



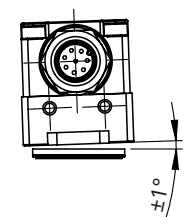
Lateral offset



Ride height



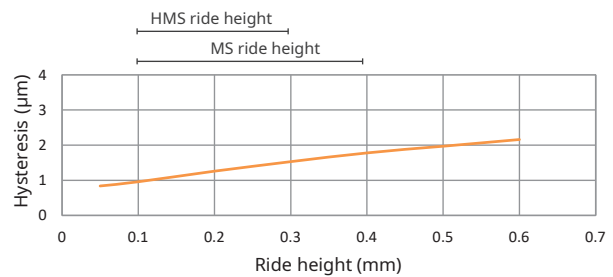
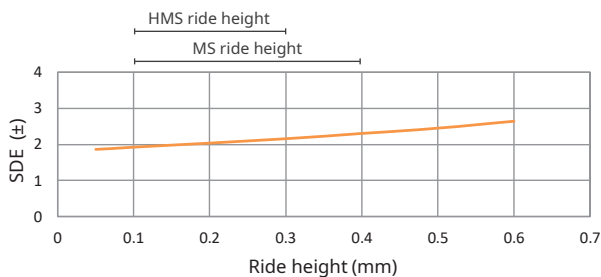
Roll



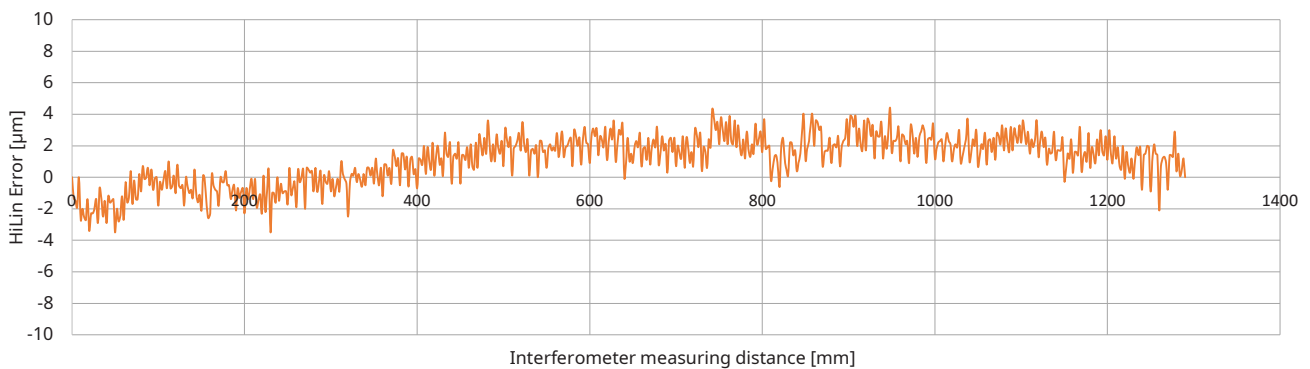
* Positive counting direction: Digital output signals – A leads B

Technical specifications

| System data | HiLin + MS19/MS20 Magnetic scale | HiLin + HMS Solid magnetic scale |
|---|--|----------------------------------|
| Pole length | MS19: 2 mm MS20: 2.032 mm | 2 mm, 2.032 mm |
| Reference mark | MS19: Unique / periodic MS20: No reference mark | Unique / periodic / DCRM |
| Accuracy (at 20 °C) | ±10 µm/m | ±5 µm/m |
| Short length (30 mm) accuracy (at 20 °C) | ±5 µm | ±3 µm |
| Repeatability (unidirectional) | ±0.4 µm | ±0.4 µm |
| Hysteresis | ≤1 µm | ≤1 µm |
| Ride height | 0.1 mm to 0.4 mm | 0.2 ±0.1 mm |
| SDE | ±2 µm | ±1.5 µm |



Graph 1: Increase of sub-divisional error (SDE) with ride height Graph 2: Increase of hysteresis with ride height (RH)



Graph 3: Accuracy error plot

All magnetic scales are magnetised at 20 °C.

Electrical data

| | | |
|----------------------------|--|---------|
| Power supply | 4.75 V to 12 V – voltage on readhead Reverse polarity and overvoltage protection (up to 15 V) | |
| Current consumption | With termination | <450 mA |
| | Without termination | <250 mA |
| Start-up time | <1 s | |
| Latency | <24 µs | |
| EMC Immunity | EN 61000-6-2 | |
| EMC Emission | EN 61000-6-4 | |

Mechanical data

Readhead

| | | |
|---------------------------|----------------------------------|------|
| Cable length | Max. 10 m | |
| Readhead connector | M8, 8 pin, male | |
| Mass | With connector, without cable | 32 g |

| Magnetic scale | | MS19/MS20 scale | HMS solid scale |
|---|----------------|-------------------------------|--------------------------------|
| Material | Carrier | 1.4310 stainless steel | 1.4016 stainless steel |
| | Magnetic scale | NBR elastoferrite | NBR elastoferrite |
| Thickness | | 1.43 ±0.1 mm * | 6.08 ±0.03 mm |
| Mass | | 64 g/m | 700 g/m |
| Width | | 15 ±0.1 mm | 18 ±0.05 mm |
| Maximum measuring length | | 20 m | 1.3 m |
| Coefficient of thermal expansion (CTE) | | ~17 × 10 ⁻⁶ [m/mK] | 10.4 × 10 ⁻⁶ [m/mK] |
| Minimum bending radius | | 75 mm | / |

* MS19/20 Magnetic scale with double-sided acrylic adhesive tape VHB 3M9469PC.

Environmental data

| Environmental data | | HiLin + MS19/MS20 Magnetic scale | HiLin + HMS Solid magnetic scale |
|------------------------------|--------------------------|---|---|
| Temperature | Operating and storage | -40 °C to +75 °C | -40 °C to +75 °C |
| Environmental sealing | | IP67 | IP67 |

* IP protection is only guaranteed when suitable connector with same or higher IP is used.

Cable

| | |
|--------------------------------------|--|
| Number of wires | 8 (2 × 26 AWG + 6 × 28 AWG) |
| Outer sheath | PUR |
| Outer diameter | Max. 4.5 mm |
| Bend radius (internal radius) | 50 mm |
| DC resistance at 20°C | 28 AWG: max. 226.7 Ω/km 26 AWG: max. 139.3 Ω/km |

Maximum speed table

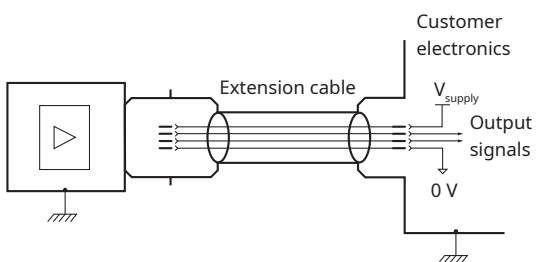
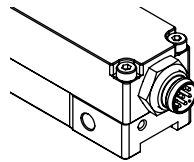
| Interpolation factor | Maximum speed (m/s) | | | | | | |
|-----------------------------------|----------------------------|-------|-------|-------|------|------|-------|
| | | | | | | | |
| 20000 | 2.56 | 1.28 | 0.88 | 0.36 | 0.16 | 0.08 | 0.02 |
| 10000 | 5.06 | 2.53 | 1.68 | 0.72 | 0.32 | 0.16 | 0.039 |
| 04000 | 12.64 | 6.32 | 4.21 | 1.80 | 0.79 | 0.40 | 0.10 |
| 02000 | 25.28 | 12.64 | 8.43 | 3.61 | 1.58 | 0.79 | 0.20 |
| 01000 | 50.56 | 25.28 | 16.85 | 7.22 | 3.16 | 1.58 | 0.40 |
| 00400 | 126.40 | 63.20 | 42.13 | 18.05 | 7.90 | 3.95 | 0.99 |
| Min. edge separation (µs) | 0.03 | 0.06 | 0.10 | 0.22 | 0.51 | 1.01 | 4.05 |
| Max. count frequency (MHz) | 32 | 16 | 11 | 4.5 | 2 | 1 | 0.25 |

For more information, please go to [Part numbering](#) or [contact RLS](#).

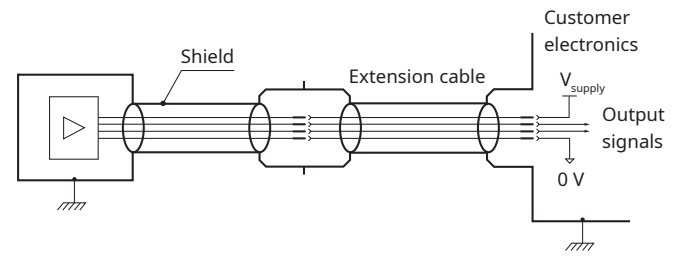
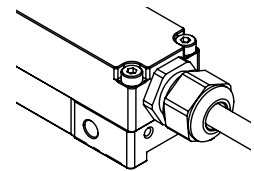
Electrical connections

| Function | Signal | Readhead connector pinout | Flying leads (option F) | 9 pin D type plug (option A) |
|--------------------------------|---------|---------------------------|-------------------------|------------------------------|
| Power* | Vcc | 2 | Brown | 5 |
| | GND | 8 | White | 9 |
| Incremental / analogue signals | A | 5 | Green | 4 |
| | A- | 6 | Yellow | 8 |
| | B | 7 | Blue | 3 |
| Reference signals | B- | 1 | Red | 7 |
| | Z | 3 | Pink | 2 |
| Cable shield | Z- | 4 | Grey | 6 |
| | Chassis | Case | - | Case |

With connector on the readhead



With cable



Outer shield of the cable should be connected to the connector housing.

Communication interface

Digital output signals, RS422

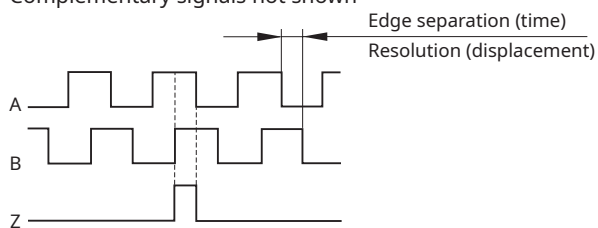
HLxIC

Specifications

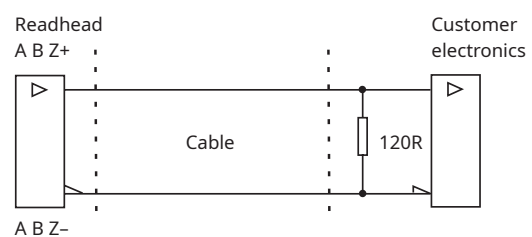
| | |
|------------------------------------|--|
| Power supply | 4.75 V to 12 V – voltage on readhead Reverse polarity and overvoltage protection (up to 15 V) |
| Current consumption | <450 mA (with termination) <250 mA (without termination) |
| Voltage drop over cable | 1.3 V (worst case; lowest supply voltage, maximum load, maximum cable length) |
| Power supply rise time | 0.1 ms - 100 ms |
| Response time | 30 μ s |
| Output signals | 3 square-wave signals A, B, Z and their inverted signals A-, B-, Z- |
| Reference signal | 1 or more square-wave pulse Z and its inverted pulse Z- |
| Signal level | Differential line driver compatible with EIA standard RS422 |
| Permissible load | $Z_0 \geq 100 \Omega$ between associated outputs Outputs are protected against short circuit Only one output shorted at a time |
| Alarm / Error signalisation | High impedance on output lines A, B, A-, B-, Z, Z- |
| Switching time (10 to 90 %) | 145 ns |
| Cable length | Max. 10 m |

Timing diagram

Complementary signals not shown



Recommended signal termination



Reference mark options

Unique reference mark

The readhead must be ordered with reference mark option A (see **Part numbering**). The magnetic scale must be ordered with reference mark.

Periodic reference mark

The readhead must be ordered with reference mark option C (see **Part numbering**). The magnetic scale must be ordered without reference mark option. The position information is output in incremental quadrature format with periodic reference pulses every 2 mm.

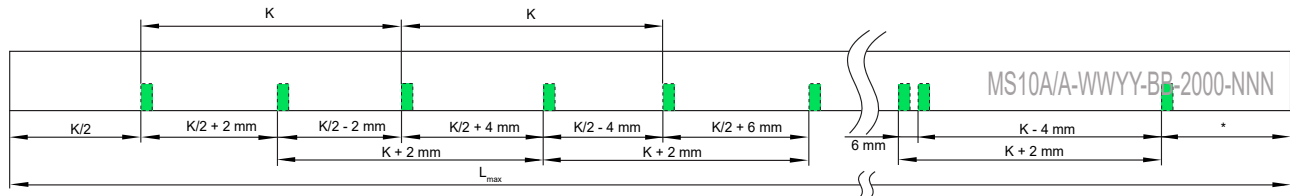
Distance coded reference marks (DCRM)

The readhead must be ordered with reference mark option A (see **Part numbering**). This option is only available for HMS Solid magnetic scale which must be ordered with a reference mark option D and a basic increment value stated as K (see available values in the table below). The distance coded reference mark option provides multiple magnetised reference marks that are individually spaced according to a specific mathematical algorithm. The absolute position is calculated after traversing 2 consecutive reference marks. Maximum length and minimum traverse depend on basic spacing (K) between reference marks.

Table of available basic increment values for specific scale lengths.

| | | | | | | | | | | | | | | | | |
|-----------------------------------|-----|-----|-----|-----|-----|-----|-----|-----|-----|-----|-----|-----|------|------|------|------|
| Total length (L) (mm) | 110 | 160 | 210 | 260 | 310 | 360 | 460 | 560 | 660 | 760 | 860 | 960 | 1000 | 1160 | 1260 | 1360 |
| Measuring length (ML) (mm) | 50 | 100 | 150 | 200 | 250 | 300 | 400 | 500 | 600 | 700 | 800 | 900 | 950 | 1100 | 1200 | 1300 |
| K | 20 | 24 | 28 | 32 | 36 | 40 | 44 | 48 | 52 | 56 | 60 | 64 | 68 | 72 | 72 | 76 |

The distribution of the reference marks is shown in the figure below. DCRMs are produced by additional magnetisation of the magnetic scale.

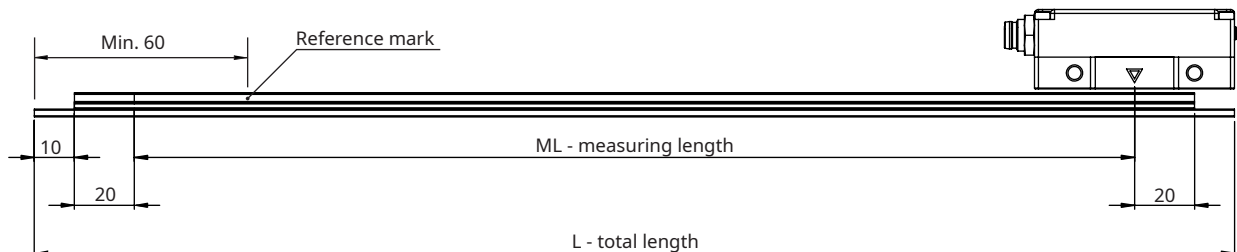


* Depends on magnetic scale length.

Basic increment (K in mm) - Represents the distance in mm between odd reference marks; it determines the maximum codable length over which the absolute position can be defined. It also determines the minimum distance which needs to be traversed to capture 2 neighbouring reference marks. The basic distance should be divisible by the length of 2 poles (in mm). K is customer selectable.

Maximum codable length (L_{max} in mm) - Is the maximum length of the magnetic scale over which the DCRM feature can be applied and still provide a unique absolute position. Lengths shorter than the maximum length can also be used.

Pole length (P in mm) - Is the length of one magnetised pole.



How the absolute position is evaluated

The absolute position of the first traversed reference mark is calculated by the following formula:

$$RI1 = \left[\frac{1}{P} \times \text{abs}(2 \times \Delta RI - K) - \text{sgn}(2 \times \Delta RI - K) - 1 \right] \times \frac{K}{2} + [\text{sgn}(2 \times \Delta RI - K) - \text{sgn}(D)] \times \frac{\text{abs}(\Delta RI)}{2}$$

Variables

RI1 - Absolute position of first traversed reference mark (in mm)

ΔRI - Distance between two successively traversed reference marks (in mm)

K - Basic increment between two fixed reference marks (in mm)

D - Direction of movement (+1 or -1)

Operators

abs - Absolute value

sgn - Sign function (+1 or -1)

Timing of reference mark capturing

The minimum distance between 2 successive reference marks equals $3 \times P$. Subsequent electronics must be able to capture position of 2 successive reference marks under the maximum speed condition. Minimum time at which 2 successive reference marks appear is given by formula:

$$T_{Rimin} = \frac{3P}{V_{max}}$$

T_{Rimin} - Minimum time between 2 successive reference marks (in ms)

P - Pole length (in mm)

V_{max} - Maximum traverse speed (in m/s)

Readhead part numbering

HL 1 IC 04000 B A 10C A 00

Pole length

- 1 - 2 mm
- 2 - 2.032 mm (DPI)

Output type

IC - Incremental, RS422, 5 V

Interpolation factor (Resolution)

- 20000** - 0.10 µm (DPI 0.1016 µm)
- 10000** - 0.20 µm (DPI 0.2032 µm)
- 04000** - 0.50 µm (DPI 0.508 µm)
- 02000** - 1.00 µm (DPI 1.016 µm)
- 01000** - 2.00 µm (DPI 2.032 µm)
- 00400** - 5.00 µm (DPI 5.08 µm)

Customer selectable resolutions available.
For more options please go to [RLS FAQ website](#).

Minimum edge separation (µs)

- A** - 0.031 (32 MHz)
- B** - 0.063 (16 MHz)
- D** - 0.125 (8 MHz)
- H** - 0.25 (4 MHz)
- L** - 0.4 (2.5 MHz)
- N** - 0.5 (2 MHz)
- T** - 1 (1 MHz)
- U** - 1.25 (0.8 MHz)
- W** - 2.5 (0.4 MHz)
- Z** - 4 (0.25 MHz)

For more options please go to [RLS FAQ website](#).

Reference mark

- A** - With reference mark
- B** - Without reference mark
- C** - Periodic reference mark

Cable length

- xxC** - Any cable length from 10 cm to 99 cm
- xxD** - Any cable length from 10 dm to 99 dm
- 10M** - Cable length 10 m
- 000** - No cable, connector only

Maximum cable length is 10 m.

Connector

- A** - 9 pin D type plug
- C** - Connector only, M8, 8 pin, male
- F** - Flying lead, no connector

Special requirements

- 00** - No special requirements (standard)

Table of available combinations

| Series | Pole length | Output type | Interpolation factor | Minimum edge separation | Reference mark | Cable length | Connector | Special requirements |
|--------|-------------|-------------|----------------------|-------------------------|----------------|-----------------|-----------|----------------------|
| HL | 1 / 2 | IC | xxxxx | x | A / B / C | xxC / xxD / 10M | A / F | 00 |
| | | | | | | 000 | C | |

Solid magnetic scale part numbering

HMS 1 A 1100 A 0020

Pole length

- 1 - 2 mm
- 2 - 2.032 mm (DPI)

Special requirement

- A - N/A (no special requirement)

Measuring scale length (Max. 1300 mm)

| | | | |
|----------------------|----------------------|----------------------|-----------------------|
| 0050 - 50 mm | 0250 - 250 mm | 0600 - 600 mm | 1000 - 1000 mm |
| 0100 - 100 mm | 0300 - 300 mm | 0700 - 700 mm | 1100 - 1100 mm |
| 0150 - 150 mm | 0400 - 400 mm | 0800 - 800 mm | 1200 - 1200 mm |
| 0200 - 200 mm | 0500 - 500 mm | 0900 - 900 mm | 1300 - 1300 mm |

Options

- A - No cover foil
- C - Welded cover foil

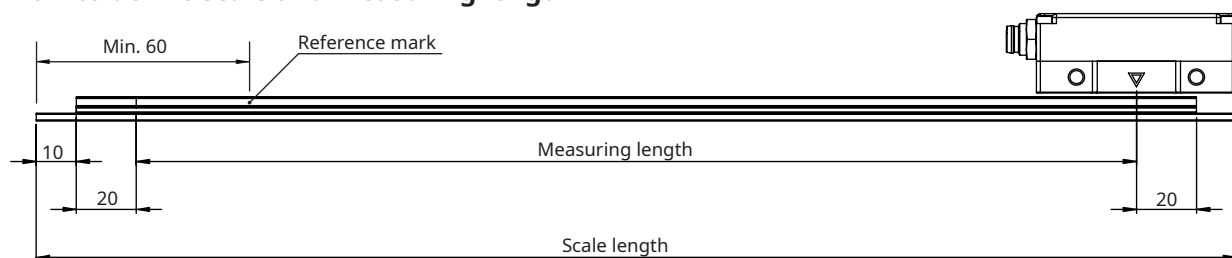
Reference mark

- 0000** - No reference mark
- Dxxx** - Distance coded reference mark; where xxx equals basic increment K in mm
- xxxx** - Reference mark; xxxx equals position of reference mark in cm
(Reference mark position will be within ± 1 mm from requested position. xxxx has to be an even number.)

Table of available combinations

| Series | Pole length | Special Requirement | Measuring scale length | Options | Reference mark |
|--------|-------------|---------------------|------------------------|---------|--------------------|
| HMS | 1 | A | XXXX | A / C | 0000 / Dxxx / xxxx |
| | 2 | | | | |

How to define scale and measuring length



| | | | | | | | | | | | | | | | | |
|-----------------------|-----|-----|-----|-----|-----|-----|-----|-----|-----|-----|-----|-----|------|------|------|------|
| Scale length (mm) | 110 | 160 | 210 | 260 | 310 | 360 | 460 | 560 | 660 | 760 | 860 | 960 | 1000 | 1160 | 1260 | 1360 |
| Measuring length (mm) | 50 | 100 | 150 | 200 | 250 | 300 | 400 | 500 | 600 | 700 | 800 | 900 | 950 | 1100 | 1200 | 1300 |

Solid magnetic scale engraving description

RLS® HMS1A1000C0500 2TPW32

Part number _____
 2D code with serial number _____
 Serial number _____

Magnetic scale part numbering

MS 19 D 1000 A 0010

Scale type

- 19** - 2 mm pole length
- 20** - 2.032 mm pole length (DPI)

Accuracy class

- D** - $\pm 10 \mu\text{m/m}$

Scale length

- xxxx** - Where xxxx equals scale length in cm
- Mxxx** - Where xxx equals scale length in mm

Maximum scale length is 20 m.

Options

- A** - VHB back adhesive tape (standard)

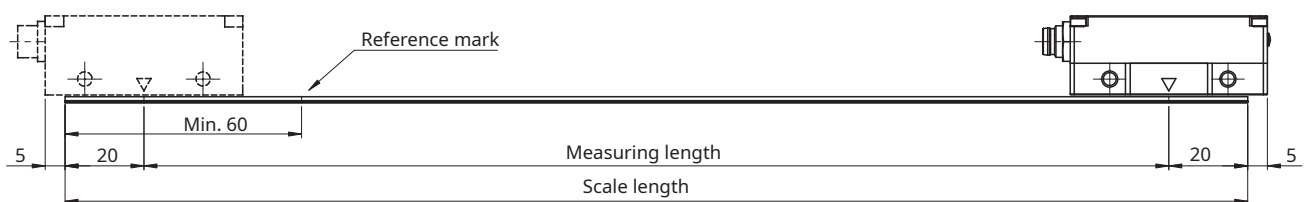
Reference mark

- 0000** - No reference mark
- xxxx** - Reference mark; xxxx equals position of reference mark in cm (Reference mark position will be within ± 1 mm from requested position)
- Mxxx** - Reference mark; xxx equals position of reference mark in mm (Reference mark position will be within ± 1 mm from requested position)

Table of available combinations

| Series | Pole length | Accuracy class | Scale length | Options | Reference mark |
|-----------|-------------|----------------|--------------|---------|--------------------|
| MS | 19 | D | xxxx / Mxxx | A | 0000 / xxxx / Mxxx |
| | 20 | | | | 0000 |

How to define scale and measuring length



Scale surface print description

Scale surface print appears every 100 mm and contains the RLS logo and a unique code.

MS 19 D / A WW YY BB NNN

- Magnetic scale
- Scale type
- Accuracy class
- Back adhesive options
- Counter designator (100 mm = +1 count)
- Batch number
- Year of scale production
- Week of scale production

Head office

RLS merilna tehnika d.o.o.

Poslovna cona Žeje pri Komendi
Pod vrbami 2
SI-1218 Komenda
Slovenia

T +386 1 5272100
F +386 1 5272129
E mail@rls.si

www.rls.si

Global support

Contact your nearest sales representative

This product is not designed or intended for use outside the environmental limitations and operating parameters expressly stated on the product's datasheet. Products are not designed or intended for use in medical, military, aerospace, automotive or oil & gas applications or any safety-critical applications where a failure of the product could cause severe environmental or property damage, personal injury or death. Any use in such applications must be specifically agreed to by seller in writing, and is subject to such additional terms as the seller may impose in its sole discretion. Use of products in such applications is at buyer's own risk, and buyer will indemnify and hold harmless seller and its affiliates against any liability, loss, damage or expense arising from such use. Information contained in this datasheet was derived from product testing under controlled laboratory conditions and data reported thereon is subject to the stated tolerances and variations, or if none are stated, then to tolerances and variations consistent with usual trade practices and testing methods. The product's performance outside of laboratory conditions, including when one or more operating parameters is at its maximum range, may not conform to the product's datasheet. Further, information in the product's datasheet does not reflect the performance of the product in any application, end-use or operating environment buyer or its customer may put the product to. Seller and its affiliates make no recommendation, warranty or representation as to the suitability of the product for buyer's application, use, end-product, process or combination with any other product or as to any results buyer or its customer might obtain in their use of the product. Buyer should use its own knowledge, judgment, expertise and testing in selecting the product for buyer's application, end-use and/or operating environment, and should not rely on any oral or written statement, representation, or samples made by seller or its affiliates for any purpose. EXCEPT FOR THE WARRANTIES EXPRESSLY SET FORTH IN THE SELLER'S TERMS AND CONDITIONS OF SALE, SELLER MAKES NO WARRANTY EXPRESS OR IMPLIED WITH RESPECT TO THE PRODUCT, INCLUDING ANY WARRANTY OF MERCHANTABILITY OR FITNESS FOR ANY PARTICULAR PURPOSE, WHICH ARE DISCLAIMED AND EXCLUDED. All sales are subject to seller's exclusive terms and conditions of sale which, where the seller is (a) RLS merilna tehnika d.o.o., are available at www.rls.si/customer-service, (b) Renishaw, Inc., are available at www.renishaw.com/Shop/legal/en/-42186, or (c) another person, are available on request, and in each case, are incorporated herein by reference, and are the exclusive terms of sale. No other terms and conditions apply. Buyer is not authorized to make any statements or representations that expand upon or extend the environmental limitations and operating parameters of the products, or which imply permitted usage outside of that expressly stated on the datasheet or agreed to in writing by seller.

RLS merilna tehnika d.o.o. has made considerable effort to ensure the content of this document is correct at the date of publication but makes no warranties or representations regarding the content. RLS merilna tehnika d.o.o. excludes liability, howsoever arising, for any inaccuracies in this document. © 2020 RLS d.o.o.