

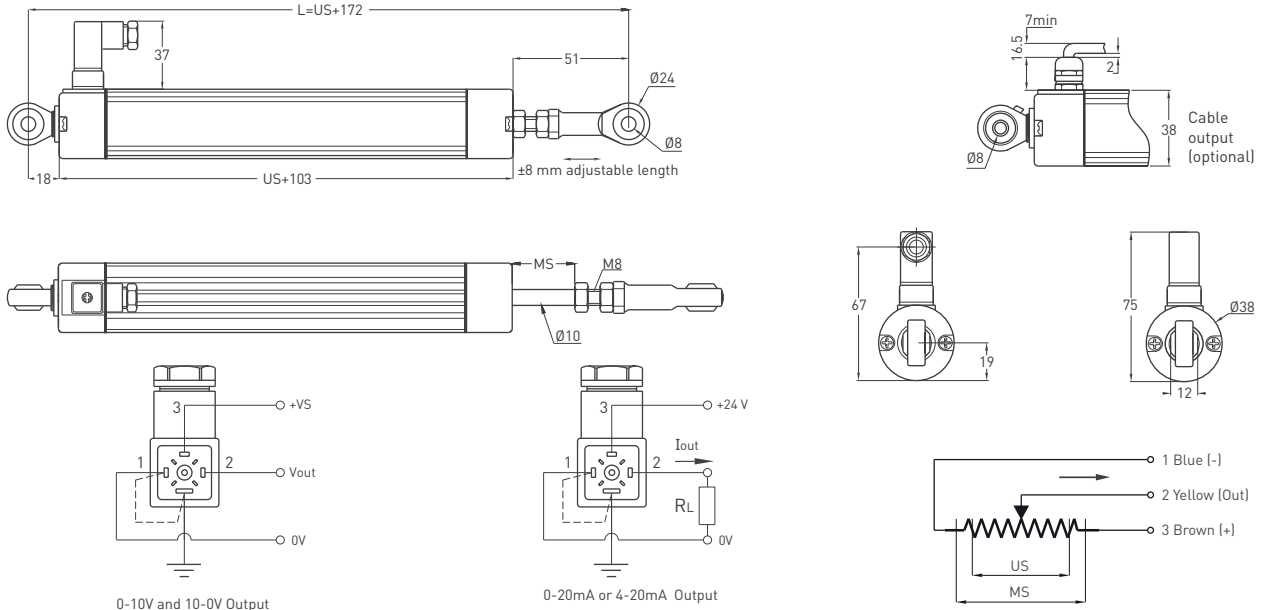
Linear Potentiometer
Internal Voltage / Current Conditioner Circuit

- Measuring range 50 - 800 mm
- Internal electronic circuit
- 4-20mA, 0-20mA, 0-10V output
- < 0.01 mm repeatability



Technical Specifications

Measurement stroke	50 - 800 mm
Linearity	±%0.05 (>200 mm), ±%0.1 (130-200 mm) ±%0.2 (75-129 mm), ±%0.5 (<75 mm)
Repeatability	< 0.01 mm
Resolution	Infinite
Output	4-20mA, 0-20mA, 0-10V, 20-4mA, 20-0mA, 10-0V
Permissible applied voltage	15 - 30 VDC
Electrical connections	4 pin connector or 1 m cable
Displacement speed	< 5 m/s
Mechanical life	100 million movement
Case dimensions	Ø38 mm
Case material	Anodized aluminium
Rod material	Stainless steel
Rod diameter	Ø10 mm
Mechanical fixing	Ball joints on the both sides
Protection level	IP 65
Operating temperature	-20°C ... +80°C
Storage temperature	-30°C ... +90°C



ELPC (mm)	50	75	100	125	130	150	175	200	225	250	275	300	325	350	375	400	450	500	550	600	650	700	750	800
US (Usefull stroke)	50	75	100	125	130	150	175	200	225	250	275	300	325	350	375	400	450	500	550	600	650	700	750	800
MS (Mechanical stroke)	55	80	105	130	135	155	180	205	230	255	280	305	330	355	380	405	455	505	555	605	655	705	755	805
L (Total stroke)	222	247	272	297	302	322	347	372	397	422	447	472	497	522	547	572	622	672	722	772	822	872	922	972

Ordering Procedure

Model	Measurement stroke (mm)	Linearity (%)	Output	Connector / Cable
ELPC	500	D	V10	C2
ELPC	50 - 800 mm	A: ±%0.5 (<75mm), B: ±%0.2 (75 - 129mm), C: ±%0.1 (130 - 200mm), D: ±%0.05 (>200mm)	I40 : 4-20mA V10 : 0-10V I04 : 20-4mA V01 : 10-0V I20 : 0-20mA I02 : 20-0mA	C2 : 4 pin connector 1M5 : 1.5 meter cable

Above given technical data are only for information purpose. OPKON has right to change product specifications without notice.